

# The CLS Coupé



Mercedes-Benz



## The new CLS.

In its new edition the four-door coupé remains true to the clear lines and the characteristic silhouette, supplemented by expressive design details and sporty highlights. Once more the CLS presents itself as a progressive style icon.



This Brochure is prepared by Mercedes-Benz Group AG and it predominantly reflects the capabilities and performance of vehicles sold in Europe. Some characteristics, capabilities, performance features and optional extras (e.g. towing systems) may not be available or may not apply in Australia or under Australian conditions. The images and information in this Brochure is therefore indicative, illustrative and provided only for guidance and should not be relied on. To obtain current and accurate information on a vehicle and any options applicable to Australia, contact your local authorised Mercedes-Benz retailer.



## Style icon from front to rear.

Clear lines determine the effortlessly superior appearance of the new CLS. With a reduction to the essentials, the sensual design idiom and iconic form complement each other for a modern luxury feel.







## Expressive to the core.

It is the many details that make the interior of the new CLS so breathtaking. Fine materials, paired with innovative ease of operation, add up to a superior-class interior. And for individualists, the optional trim elements and seat upholstery can be personalized according to their wishes.



## Safe companion from parking space to overtaking lane.

Thanks to state-of-the-art safety and assistance systems\* the new CLS can support you in a way appropriate to the situation in question and can actively help to reduce the risk in road traffic. The Driving Assistance Package Plus with Active Stop-and-Go Assist and Active Distance Assist DISTRONIC eases some of the pressure on you, ensuring that you reach your destination safely, above all, but also relaxed.

\*Various safety systems and features included in Mercedes-Benz vehicles are driver assistance aids only and the driver at all times remains solely responsible for maintaining proper control of the vehicle, ensuring safety and monitoring the driving environment and complying with all applicable road rules.







## Sets trends that become timeless.

Clear design lines and absolute proportions make it unmistakably clear: the CLS is an icon. But in its new edition the four-door coupé goes even further and, thanks to the individualisation range, is as versatile as ever before. The new CLS thus not only has strength of character, but also a personality: yours.



## Highlight of a stellar era.

The many design elements of the AMG Line make the new CLS even more expressive in its appeal. In particular the AMG Grille makes the coupe an absolute eye catcher. Further sporty highlights of the AMG Line underscore the progressive spirit of the new CLS.

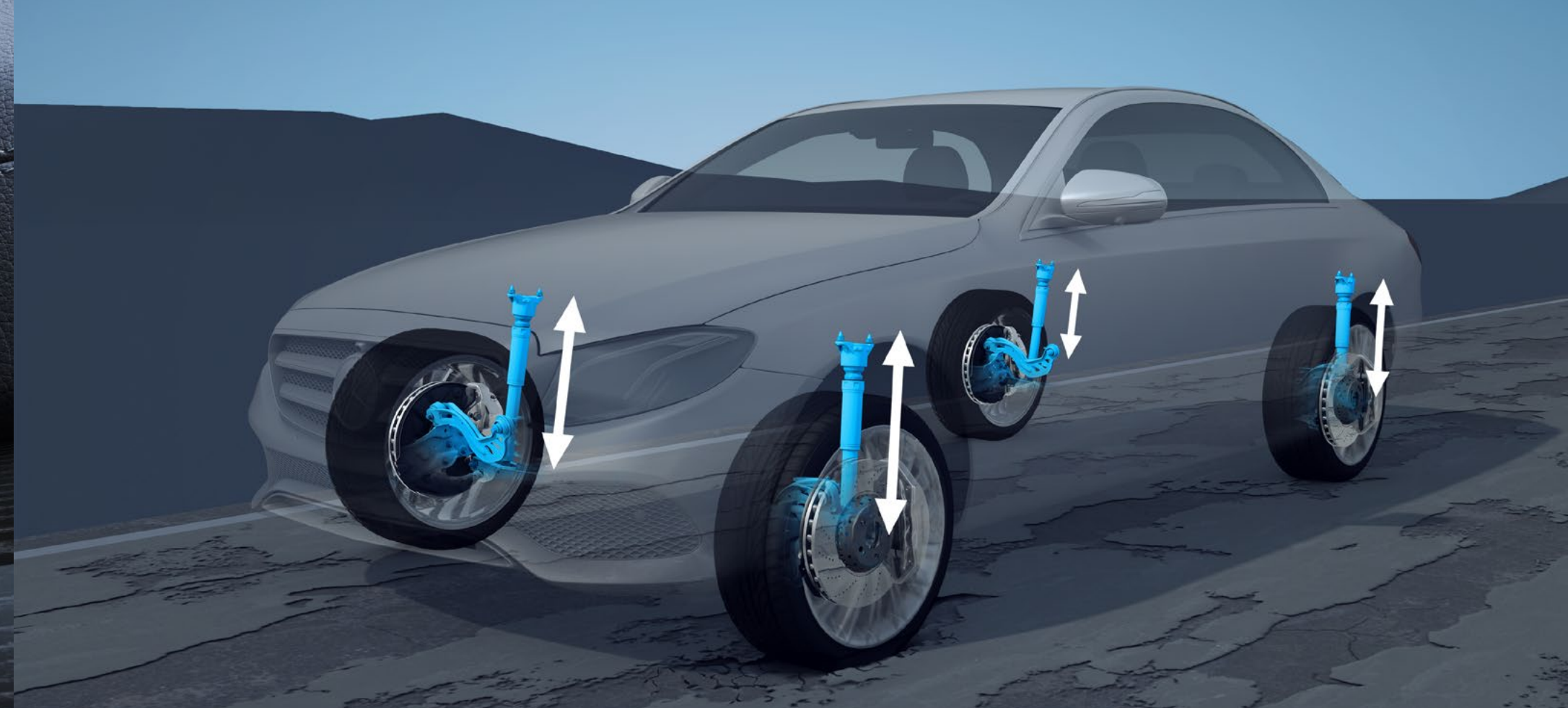




## Comfort driving assistance.

With the Driving Assistance Package Plus,\* the safety offering of the new CLS is extended to include further intelligent systems, such as Active Distance Assist DISTRONIC. It automatically controls the speed in relation to vehicles ahead that are driving more slowly, and in hazardous situations can use Active Brake Assist to intervene.

\*Various safety systems and features included in Mercedes-Benz vehicles are driver assistance aids only and the driver at all times remains solely responsible for maintaining proper control of the vehicle, ensuring safety and monitoring the driving environment and complying with all applicable road rules.



## AIR BODY CONTROL.

AIR BODY CONTROL combines the advantages of several suspension systems – you can switch at any time from comfortable to dynamic. The set-up range is particularly impressive. That's because the multi-chamber air springs feature three-way control. They provide excellent ride comfort on difficult terrain or, alternatively, sporty characteristics. Practical: the self-levelling suspension.



# The new CLS.

The Mercedes-AMG CLS 53 4MATIC+.

Every Mercedes-AMG is a masterpiece in its own right, with an unmistakable character. What unites our performance vehicles and sports cars is their irrepressible sporting spirit. Their passion for top performance. It is generated at the point where engineering skill meets a very special attitude: the spirit of AMG. We believe that you have to keep on challenging limits in order to achieve new goals. We accept nothing as a given. Because limits are imposed by people, and it's also people who can overcome them. It's this attitude that enables us to achieve outstanding performance for motor racing – and for the road.

Welcome to the world of AMG.

[www.mercedes-amg.com](http://www.mercedes-amg.com)

**AMG**

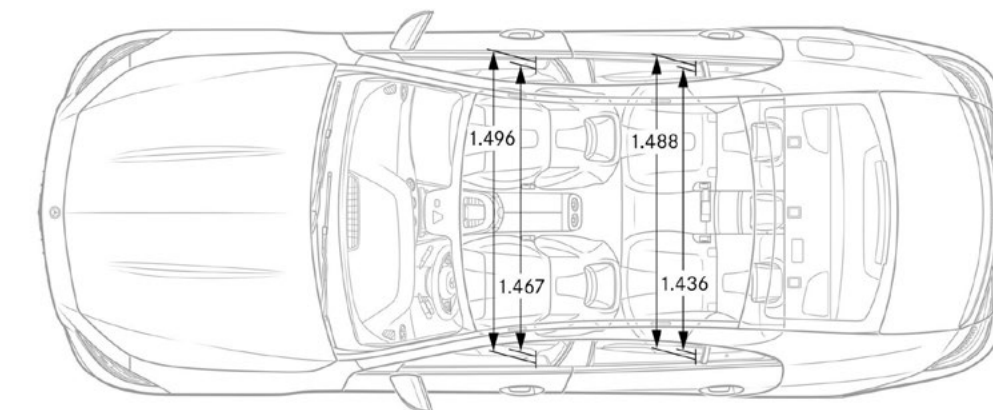
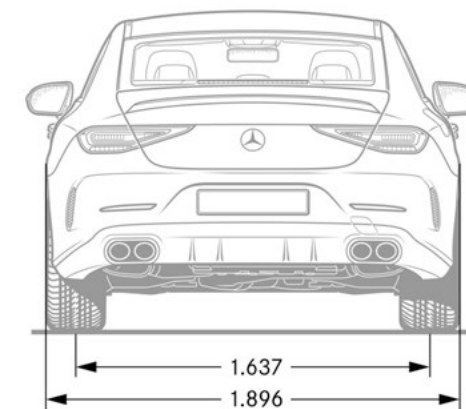
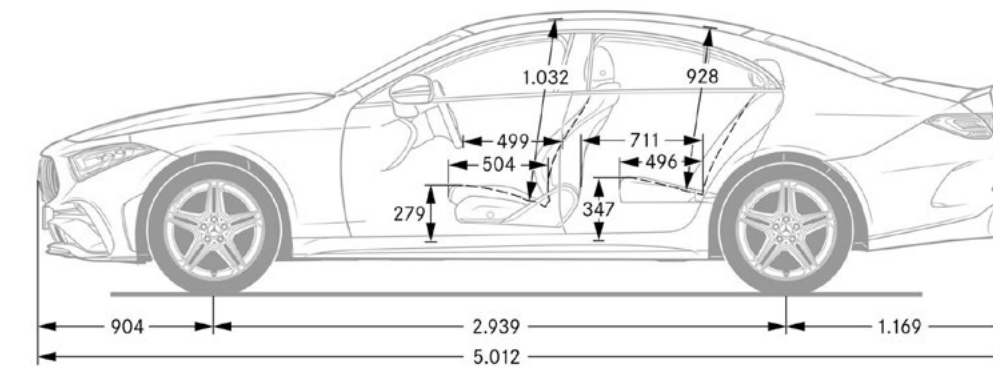
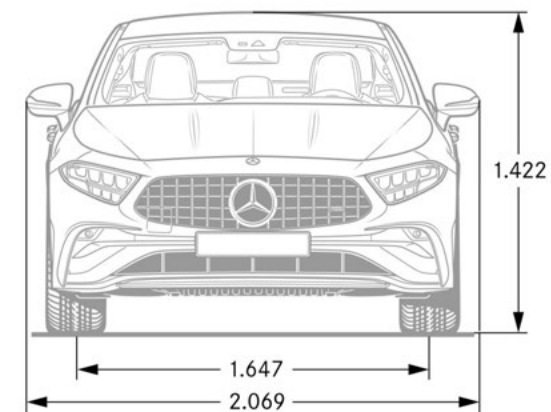




## Technical data.\*

| Petrol engine                             |                     |
|---|---------------------|
| CLS 53                                    |                     |
| Displacement (cc)                         | 2999                |
| Rated output (kW [hp])                    | 320 [435]/5500-6100 |
| Acceleration from 0 to 100 km/h (s)       | 4.5                 |
| Indicative fuel consumption (l/100 km)    |                     |
| Urban                                     | 12.0                |
| Extra-urban                               | 7.6                 |
| Combined                                  | 9.2                 |
| Combined CO <sub>2</sub> emissions (g/km) | 210                 |

## Dimensions.



**The best for the engine:**  
Mercedes-Benz genuine engine oils.

\*Figures stated (including declared fuel consumption and emission figures) are indicative only and determined by testing under track and/or standardised laboratory conditions which are (where applicable) conducted in accordance with ADR 81/02. The figures stated are for the purposes of comparison amongst vehicles tested under the same technical procedures only. Real world figures (particularly acceleration, fuel consumption and emission figures) may vary and are influenced by many additional factors such as, fuel quality, individual driving style, load, traffic, environmental and road conditions, ambient temperatures and vehicle condition.

\*All figures in millimeters. They are indicative figures only based on basic specification vehicles and in unladen condition. Actual figures and values may vary and are influenced by many additional factors such as optional equipment. Customers should make additional enquiries based on the specifics of their vehicle to obtain accurate figures.





# SPORT — F O R — GOOD

For 20 years now it has been our belief that sport has the power to connect people and motivate them in a unique way. We have facilitated urgently needed access to our support programmes for millions of children and young people, so helping them to achieve positive change in their lives. The programmes that we support together with Laureus Sport for Good are in line with the United Nations' Sustainable Development Goals and are part of an exciting major global movement to effect positive change in the world. **In buying a Mercedes-Benz you are supporting the “Laureus Sport for Good” movement.**

This Brochure is prepared by Mercedes-Benz Group AG and it predominantly reflects the capabilities and performance of vehicles sold in Europe. Some characteristics, capabilities, performance features and optional extras (e.g. towing systems) may not be available or may not apply in Australia or under Australian conditions. The images and information in this Brochure is therefore indicative, illustrative and provided only for guidance and should not be relied on. To obtain current and accurate information on a vehicle and any options applicable to Australia, contact your local authorised Mercedes-Benz retailer. The information contained in this document is indicative only and final information should be obtained from a participating authorised retailer prior to purchase. Changes may have been made to the product since the editorial deadline on 11.23.2021.

The manufacturer reserves the right to discontinue or make changes to any goods or services and the information in this document without notice. All images shown are for illustrative purposes only and are displayed by way of example. Actual features/products/goods/services may differ slightly. Some vehicles or equipment pictured and/or features may not be available in Australia. All information in this document is to be read in conjunction with the applicable disclaimers. This publication and its text, images, graphics, sound files, animation files, video files and their arrangements are the property of Mercedes-Benz Group AG. The publication may also contain objects that are subject to the copyright rights of third party providers. This publication is not to be copied, used for commercial purposes or distribution, nor may these objects be modified or reposted. All rights reserved.