



The Next

# 05 F-SERIES SUPER DUTY

F-350/F-450/F-550 CHASSIS CABS





## > EMPLOYEE OF THE YEAR.

When duty calls, the 2005 Ford Chassis Cabs arrive more capable than ever. On F-450/F-550, a new wider-track front end points the way, and its engineering powerfully delivers: The new front suspension and steering systems provide excellent maneuverability and a tighter turning diameter, and an improved frame helps increase front GAWR capacity and supports GCWRs up to 33,000 lbs. New 3-valve engine technology adds even more muscle to the renowned Triton™ gas engines. Improved 4-wheel disc brakes and Ford's exclusive fully integrated Trailer Brake Controller option redefine towing capability.



F-450 Regular Cab

F-550 SuperCab

F-550 Crew Cab

### 2005 Ford F-350/F-450/F-550 Super Duty

<b>Chassis</b>	<b>03</b>
Tighter Turning Diameter New Twin-Coil Monobeam Front Suspension GAWR, GVWR and GCWR Increases	
<b>Powertrain</b>	<b>05</b>
Triton™ 3-Valve Variable Cam Timing Power Stroke® V8 Turbo Diesel TorqShift™ Available with Gas Engines	
<b>Intelligent Function</b>	<b>07</b>
First Integrated Trailer Brake Controller Increased Trailer Towing	
<b>Upfits</b>	<b>09</b>
Increased Rear Axle Capability Improved Brakes and Frame Available Integrated Upfitter Switches	
<b>Interior</b>	<b>11</b>
FlexFold™ Convenient Seating/Storage New Instrument-Panel Design Many Available Amenities	
<b>Specifications</b>	<b>13</b>
Standard and Available Equipment Specifications/Configurations Color and Trim	

Vehicles throughout this catalog are shown with optional and aftermarket upfit equipment.

F-550 XLT SuperCab - Dark Toreador Red Metallic



## > LOADS OF CAPABILITY.

Ford Super Duty Chassis Cabs have the capacity to handle the big loads, and the confidence to maneuver them. The all-new Twin-Coil Monobeam front suspension on F-350 4x4 and F-450/F-550 is a major contributor to astounding payload, GAWR, GVWR and GCWR capability. While refined engineering makes it easier to transport your loads, a 5.25"-wider front axle and an all-new steering system with increased wheel cuts reduce turning diameter by as much as 13.9' wall-to-wall on F-450/F-550 models. Now Super Duty does more in even tighter working conditions.



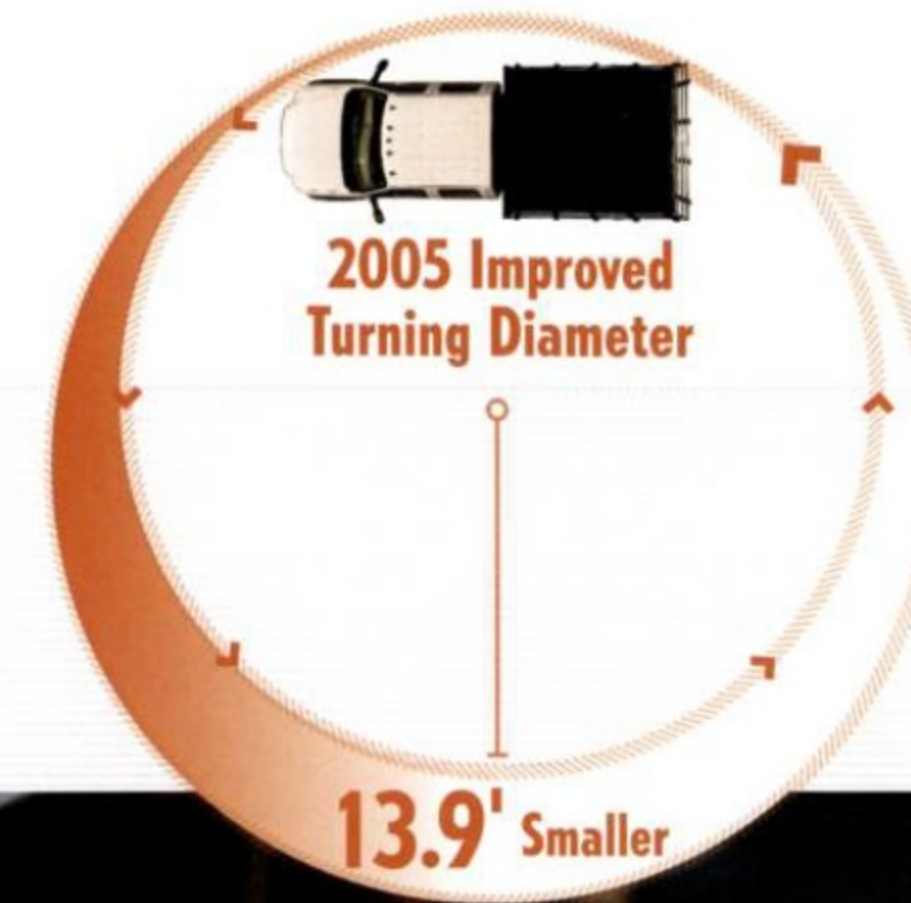
F-550 XLT Crew Cab 4x4 \_ Oxford White

### Carries The Heavy Weight

Massive Capabilities – Super Duty Chassis Cabs offer strength across the board. Load-carrying capacities can reach up to 12,300 lbs.; GVWRs up to 19,000 lbs.; and GCWRs up to 33,000 lbs., when properly equipped.

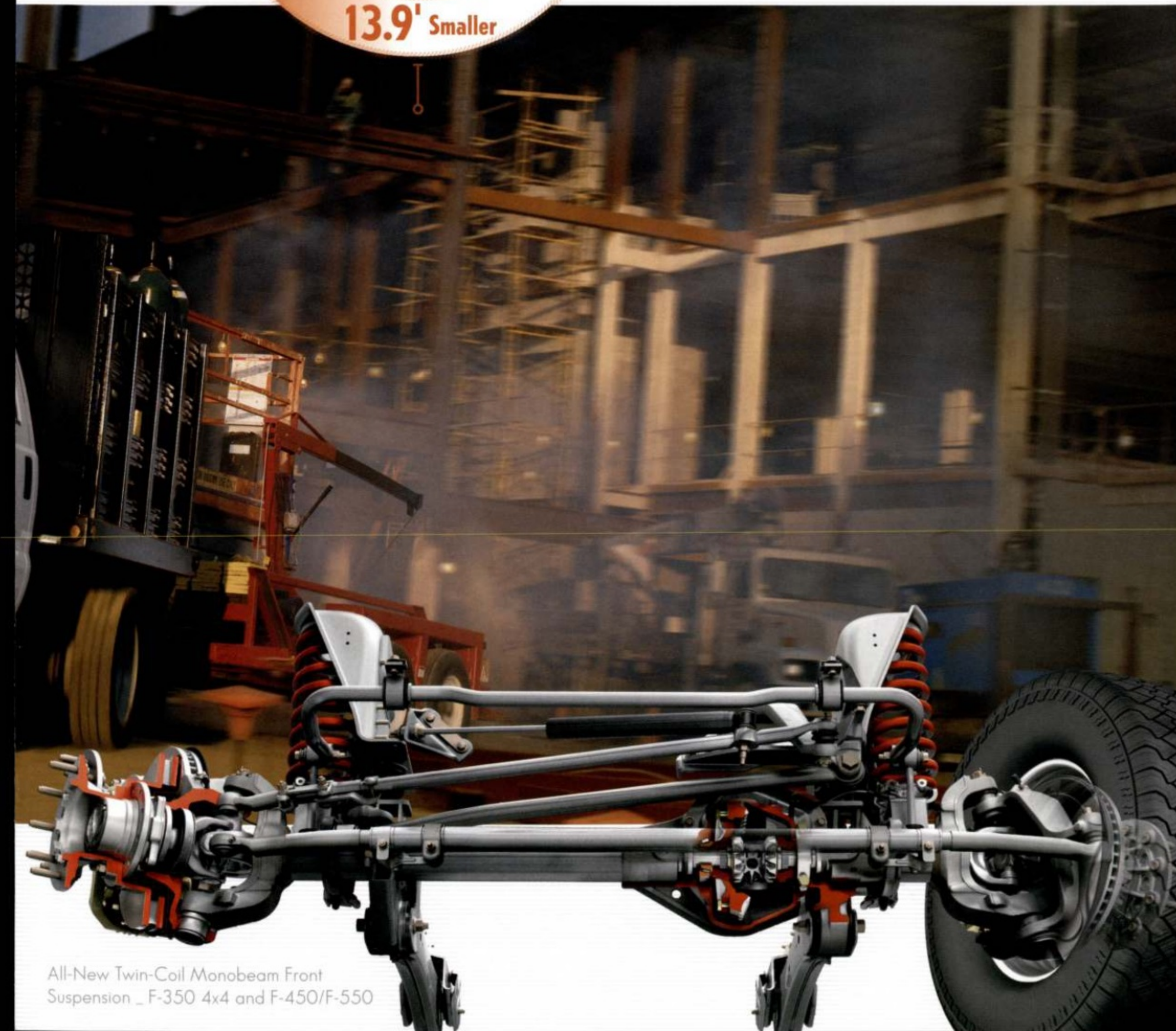
### Up-Front Support

New Twin-Coil Monobeam Front Suspension – On F-350 4x4 and all F-450/F-550 Super Duty models, this all-new front suspension eliminates inherent interleaf friction and helps reduce axle windup. On F-450/F-550, it also accommodates a larger, 7000-lb.-capacity axle that's 5.25" wider as well.



### Super In Tight Spots

All-New Steering – Thanks to the new suspension and steering systems, F-450 and F-550 Super Duty Chassis Cabs are easier than ever to maneuver and park. Increased wheel cuts allow for a turning-diameter improvement of up to 12.9' curb-to-curb and 13.9' wall-to-wall.



All-New Twin-Coil Monobeam Front Suspension \_ F-350 4x4 and F-450/F-550



## > TREMENDOUS FORCE.

Ford Super Duty Chassis Cabs deliver enormous power the moment you step on the accelerator. The vigorous 5.4L Triton™ V8 sets the standard, while the colossal 6.8L Triton™ V10 boasts best-in-class\* gas horsepower and torque. And new 3-valve technology ensures that you put your strength to its most efficient use. Equally robust is Chassis Cab's diesel counterpart – the Power Stroke® V8 Turbo Diesel. The highly durable Power Stroke churns out intense low-end torque and has a B10 life design of 250,000 miles. Combined with the 6-speed manual or TorqShift™ 5-speed automatic transmission, these powerplants offer optimum strength.

\*Traditional chassis cab trucks under 22,000 lbs.

### POWER STROKE TURBO DIESEL V8

#### 6.0L Power Stroke V8 Turbo Diesel

ENGINE TYPE	Turbo Diesel
CONFIGURATION	OHV 32-Valve V8
DISPLACEMENT	6.0 Liters
SAE NET HORSEPOWER	325 @ 3300 rpm
SAE NET TORQUE	570 lb.-ft. @ 2000 rpm

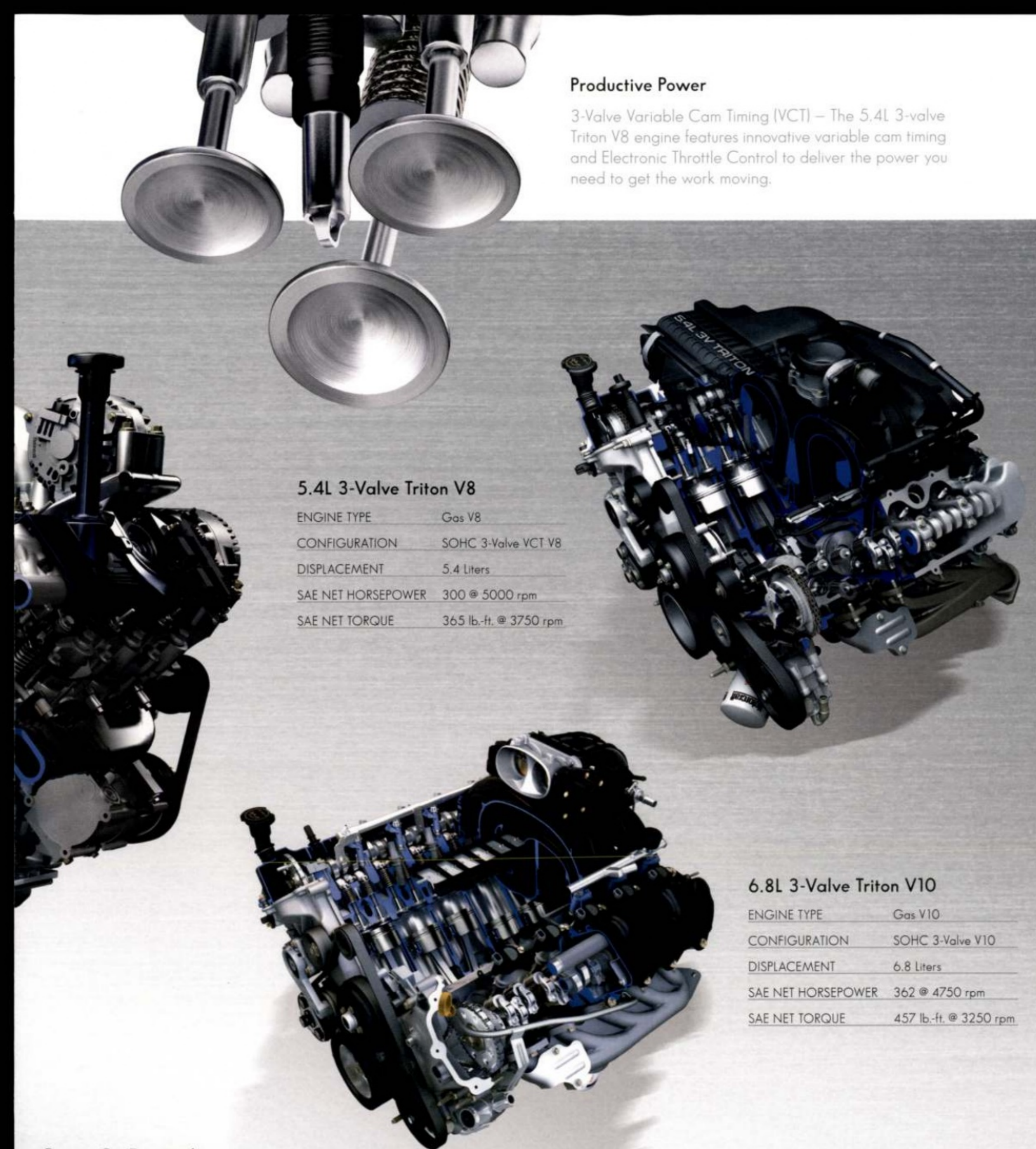


#### Ultimate Power Management

TorqShift 5-Speed Automatic Transmission – This remarkable transmission features a selectable tow/haul mode. Its sophisticated electronic controls sense towing and hauling demands and adjust its operation to meet them. When hauling a heavy load or trailer, the tow/haul mode helps reduce gear hunting, improves power delivery, and even uses engine braking to help control vehicle speed when descending hills.

#### Extra Muscle

Power TakeOff (PTO) – An available transmission-integrated Power TakeOff provision lets you power accessories like dump boxes, plow blades, liftgates, winches, skylifts, air compressors, auxiliary hydraulic pumps and other add-on equipment.



#### Productive Power

3-Valve Variable Cam Timing (VCT) – The 5.4L 3-valve Triton V8 engine features innovative variable cam timing and Electronic Throttle Control to deliver the power you need to get the work moving.

#### 5.4L 3-Valve Triton V8

ENGINE TYPE	Gas V8
CONFIGURATION	SOHC 3-Valve VCT V8
DISPLACEMENT	5.4 Liters
SAE NET HORSEPOWER	300 @ 5000 rpm
SAE NET TORQUE	365 lb.-ft. @ 3750 rpm

#### 6.8L 3-Valve Triton V10

ENGINE TYPE	Gas V10
CONFIGURATION	SOHC 3-Valve V10
DISPLACEMENT	6.8 Liters
SAE NET HORSEPOWER	362 @ 4750 rpm
SAE NET TORQUE	457 lb.-ft. @ 3250 rpm

#### Power On Demand

Stationary Elevated Idle Control (SEIC) – New for 2005 and standard on every Chassis Cab powertrain. This vital feature allows you to elevate the engine idle speed of a stationary vehicle to operate a transmission-mounted PTO, or engine FEAD-mounted clutch pump, air compressor or generator. On the 6.0L Power Stroke V8 Turbo Diesel, it can also be used to help keep the vehicle battery charged under extreme electrical demand, such as when supporting ambulance emergency lighting and life-support equipment.



## > AN INTELLIGENT COMBINATION.

F-450/F-550 Super Duty Chassis Cabs combine large performance numbers – a maximum 5th-wheel trailer weight of 24,800 lbs.\* and a maximum conventional trailer weight of 16,000 lbs.\* – with an efficient, unified system that maximizes its towing potential. An available first-in-class, fully integrated Trailer Brake Controller offers unprecedented factory-installed towing control. The available TorqShift™ automatic transmission with tow/haul mode helps keep work moving smoothly uphill or down. New steering gears generate a 24% increase in turning torque. Increased wheel cuts and a wider axle produce a tighter turning diameter. And 30% stiffer calipers, thicker rotors with 4-wheel disc brakes offer more stopping power. Use your strength wisely. Use Super Duty Chassis Cab.

\*Requires aftermarket equipment.



### Spec'd To Work

Choice of payload ratings. High-capacity axles, springs, shocks and standard front and rear stabilizer bars allow you to do the really big jobs confidently.

### Shift In Capability

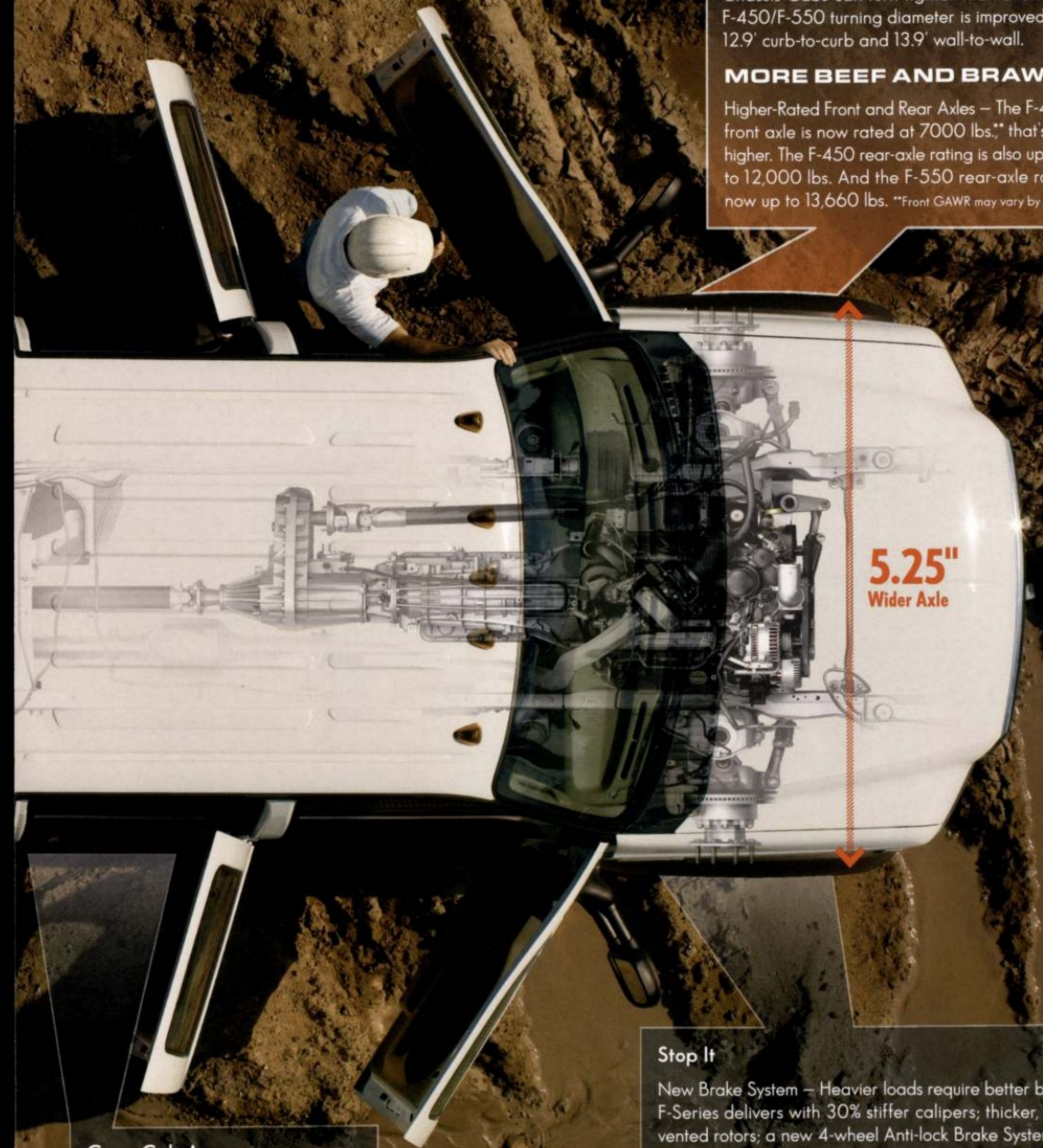
TorqShift 5-Speed Automatic Transmission – This available transmission features exceptional durability and shift quality, adaptive learning, and a tow/haul mode that helps reduce unwanted gear search on inclines and provides more assured descents.

### TIGHT SPOTS — NO PROBLEM

All-New Steering – With a 5.25"-wider front axle and a new, more robust steering gear, F-450/F-550 Chassis Cabs can turn tighter than ever before. F-450/F-550 turning diameter is improved by up to 12.9' curb-to-curb and 13.9' wall-to-wall.

### MORE BEEF AND BRAWN

Higher-Rated Front and Rear Axles – The F-450/F-550 front axle is now rated at 7000 lbs.\*\*, that's 1000 lbs. higher. The F-450 rear-axle rating is also up 1000 lbs. to 12,000 lbs. And the F-550 rear-axle rating is now up to 13,660 lbs. \*\*Front GAWR may vary by application.



### Crew Cab Access

The rear-door hinges in Crew Cab models allow the doors to open extra-wide for great ingress/egress.

### Stop It

New Brake System – Heavier loads require better brakes. F-Series delivers with 30% stiffer calipers; thicker, fully vented rotors; a new 4-wheel Anti-lock Brake System and a new master cylinder for improved stopping power.



## > THE BUSINESS MODEL.

From dump body to stake bed, and everything in between, Super Duty Chassis Cab is Built Ford Tough to easily upfit to your business needs. It starts underneath with a muscular rear axle and suspension capable of handling a variety of upfitter installations. From there, heavy-duty flat frame rails and improved brakes help contribute to massive GAWRs and GVWRs. Trailer tow mirrors even come standard. And seamless factory-installed options like upfitter switches and an available fully integrated Trailer Brake Controller send your truck out of the dealership ready for work. Just pick your cab and go.

### Great Clearance

Thanks to a low cab design, F-Series Super Duty is well-suited to over-cab upfits.

### The Bottom Line

Super Duty Chassis Cab's incredibly strong frame provides a solid foundation designed to conveniently shoulder aftermarket installations.

### Fuel Tank Choices

40-gallon aft-of-axle, an optional 19-gallon midship, or both on diesel DRW models provide up to a 59-gallon capacity.

### Flat Frame

Flat frame rails are designed specifically to accommodate aftermarket bodies.

### Long-Life Exhaust

Stainless steel construction resists corrosion.



### Upfitters' Dream

Upfitter Switches – These available switches facilitate add-on system installations. They provide easy power access and upfit operation integrated with the instrument panel.

### Regular Cab

Front Seats – An all-vinyl full bench comes standard on XL. A high-series cloth 40/20/40 split bench is included with XLT models. Lariat includes a split bench with leather-trimmed seats. (F-450 XL shown.)



### SuperCab

Front Seats – Same as Regular Cab. Rear Seats – A fold-up bench comes standard in vinyl on XL, cloth on XLT and premium vinyl on Lariat. There is also a rear-seat-delete option. (F-350 XLT shown.)



### Crew Cab

Front Seats – A cloth/vinyl weave bench seat comes standard on XL. A 40/20/40 split-bench seat is standard in cloth on XLT and leather-trimmed on Lariat. Rear Seats – A cloth/vinyl weave fold-forward bench is standard on XL. A FlexFold™ 60/40 split rear bench with fold-flat feature in cloth is standard on XLT and leather-trimmed on Lariat. (F-550 XLT shown.)



### Proportional Trailer Braking

Integrated Trailer Brake Controller (TBC) – The available TBC is seamlessly integrated and offers trailer braking that is proportional to vehicle brake pressure for more towing confidence. And because the system is factory-installed, it's a value covered by the Ford New Vehicle Limited Warranty.





## > NO CONCESSIONS NECESSARY.

Why compromise when you can have it all? The F-Series Super Duty Chassis Cab interior offers selection, durability, functionality and comfort. Versatile FlexFold™ rear seating on Crew Cab is capable of several different configurations. Available upfitter switches and Trailer Brake Controller are fully integrated into the new instrument panel. Auxiliary steering-wheel-mounted A/C and audio controls, available with Lariat Luxury Package, help keep your attention on the job. And Super Duty Chassis Cab's long list of available amenities includes: power windows and door locks, power/heated seats, driver lumbar support and tilt wheel with speed control.



Available Lariat Luxury Package



XLT SuperCab 4x4 \_ Medium Flint Cloth Interior shown with optional equipment



### New Information

Redesigned Instrument Panel and Engine Hour Meter – The fresh design includes new information such as an engine hour meter. Thoughtful conveniences are also available, such as a driver's glove compartment, upfitter switches, Trailer Brake Controller and more.



### Fold To Your Needs

FlexFold Seating – The Crew Cab 60/40 split rear seat increases the functionality of an already versatile interior. Depending on what you're storing, you can fold either one or both seatbacks down, or the seat bottoms up to form a flat, steel loadfloor.



### Tough Material

Vinyl Seating – You need an interior that's as durable as it is comfortable. The F-Series Super Duty Chassis Cab vinyl seating material is Built Ford Tough to withstand the rigors of your daily usage.



# SPECIFICATIONS

## F-350/F-450/F-550 SUPER DUTY CHASSIS CAB STANDARD FEATURES

Safety/Security
Airbags <sup>1</sup> – Driver and right-front passenger
Alert chimes – Headlamps-on, key-in-ignition and door ajar
Belt-Minder <sup>®</sup> safety belt reminder
BlockerBeam <sup>®</sup> – Front bumper underride protection system
Brake/shift interlock (with automatic transmission)
Child-safety seat top tether anchors
Fuel pump inertia shutoff switch
Height-adjustable safety belts – Front (Regular Cab, XL SuperCab, Crew Cab)
Passenger airbag deactivation switch (Regular Cab, SuperCab)
Safety belt energy-management retractors – Front outboard positions
Side-impact door beams
Mechanical
Manual 4-wheel-drive system with manual locking hubs (4x4 models only)
5.4L SOHC 3-valve Triton <sup>™</sup> V8 engine (F-350 SRW)
6.8L SOHC 3-valve Triton V10 engine (F-350 DRW/F-450/F-550)
6-speed manual overdrive transmission (F-350/F-450)
TorqShift <sup>™</sup> 5-speed automatic overdrive transmission (F-550)
100,000-mile tune-up interval <sup>2</sup> (gas engines)
Battery saver
Fail-safe engine cooling system (gas engines)
Fuel tank – 40-gallon capacity (includes auxiliary fuel tap)
Power 4-wheel disc brakes with ABS
Power steering
Stabilizer bars – Front and rear
Stainless steel exhaust system
Steering damper
Interior
Assist and ride handles
Coat hooks – 2
Cupholders – 2 on instrument panel (2 in rear with SuperCab and XLT/Lariat Crew Cab)
Dome light (front and rear with Crew Cab)
Flip-open rear quarter windows (SuperCab)
Instrumentation – Engine hour meter, tachometer, trip odometer, voltmeter (man. trans.), oil pressure, coolant temperature, transmission temperature gauge (auto. trans.), air filter minder (diesel only), fuel gauge, indicator lights and turbo boost (diesel only)
Power points – 2 on instrument panel (including lighter)
Steering wheel – Black vinyl
Exterior
Bumper – Front, painted
Front fender moldings with integrated mud flaps (F-450/F-550)
Roof clearance lights
Solar-tinted glass
Tow hooks – Front (2)
Trailer tow – 7-wire harness (blunt cut)
Windshield wipers – Interval

<sup>1</sup>Always wear your safety belt and always deactivate the passenger airbag when using a rear-facing child-safety seat with Regular Cab and SuperCab models. Always wear your safety belt and always secure children in the rear seat with Crew Cab models. Passenger airbag may be deleted. <sup>2</sup>Under normal driving conditions with routine fluid and filter changes.

## F-350/F-450/F-550 SUPER DUTY CHASSIS CAB FEATURES & OPTIONS

Safety/Security	XL	XLT	Lariat
Advanced Security Group – Includes autolock, autolamp, illuminated entry system, driver's-door keypad and remote keyless entry system with 2 key fobs	—	○	●
Mechanical			
5.4L SOHC 3-valve Triton V8 engine	●	●	●
6.8L SOHC 3-valve Triton V10 engine	●	●	●
6.0L OHV 32-valve Power Stroke <sup>®</sup> V8 Turbo Diesel engine	○	○	○
6-speed manual overdrive transmission (optional on F-550)	●	●	●
TorqShift 5-speed automatic overdrive transmission	●	●	●
Electronic Shift-On-the-Fly 4-wheel-drive system with auto/manual locking hubs (F-350 4x4 models only)	—	○	○
18" steel wheels (F-350 SRW)	●	—	—
18" chromed steel wheels (F-350 SRW)	—	●	—
18" forged polished-aluminum wheels (F-350 SRW)	—	○	—
18" premium polished-aluminum wheels (F-350 SRW)	—	—	●
17" steel wheels – 6 (F-350 DRW)	●	●	—
17" forged polished-aluminum wheels – 4 (F-350 DRW)	—	○	●
19.5" steel wheels – 6 (F-450/F-550)	●	●	○
19.5" forged-aluminum wheels – 4 (F-450/F-550)	—	○	●
LT275/65R18 all-season BSW tires (F-350 SRW 4x2)	●	●	●
LT275/70R18 all-season BSW tires (F-350 SRW 4x4)	●	●	●
LT275/65R18 all-season OWL tires (F-350 SRW 4x2)	—	○	○
LT275/70R18 all-terrain BSW tires (F-350 SRW 4x4)	○	○	○
LT275/70R18 all-terrain OWL tires (F-350 SRW 4x4)	—	○	○
LT245/75R17 all-season BSW tires – 6 (F-350 DRW)	●	●	●
LT245/75R17 all-terrain BSW tires – 6 (F-350 DRW)	○	○	○
LT245/75R17 all-terrain OWL tires – 4 (F-350 DRW) <sup>3</sup>	—	○	○
225/70R19.5F all-season BSW tires (F-450/F-550)	●	●	●
225/70R19.5F traction BSW tires – 4 rear only (F-450/F-550)	○	○	○
225/70R19.5F max. traction BSW tires – 6 (F-450/F-550 4x4 only)	○	○	○
Dual alternators (diesel engine only)	●	●	●
Engine block heater	○	○	○
Fuel tank – 19-gallon capacity midship in place of standard (DRW models only); some exclusions	○	○	○
Fuel tank – 59-gallon capacity dual tank combination: 40-gallon off-of-axle standard plus 19-gallon midship (DRW models with diesel engine only)	●	●	●
Higher-ratio rear axle	○	○	○
Integrated Trailer Brake Controller (not available with Trailer Tow Package; deletes Package on Lariat)	○	○	○
Jack	○	○	○
Limited-slip rear axle	○	○	○
Payload Upgrade Package – Increases GVWR for increased payload range (F-350 SRW and F-550 only)	●	●	●
Power TakeOff (PTO) provision – Manual transmission	●	●	●
Power TakeOff (PTO) provision – Automatic transmission with 6.8L or 6.0L engine	○	○	○
Skid plate – Transfer case (SuperCab and Crew Cab 4x4 models only)	○	○	○
Spare tire and wheel – Includes jack	○	○	○
Seating			
Front bench seat – HD vinyl (not available with Crew Cab)	●	—	—
Front bench seat – HD cloth/vinyl weave (standard with Crew Cab)	○	—	—
Front bench seat – HD cloth	○	—	—
Front bench seat – 40/20/40 with armrest, cupholders and storage bin (XL – HD vinyl, XLT – cloth, Lariat – leather-trimmed) (XL – Fleet only)	○	●	●
Front bucket seats – HD vinyl	○	—	—
Front bucket seats – HD cloth/vinyl weave	○	—	—
Front bucket seats – HD cloth	○	—	—

● Standard ● Select Availability ○ Optional — Not Available

<sup>3</sup>Inner tire is BSW.

## F-350/F-450/F-550 SUPER DUTY CHASSIS CAB FEATURES & OPTIONS (continued)

Seating (continued)	XL	XLT	Lariat
Front captain's chairs with console (XLT – cloth, Lariat – leather trim)	—	○	○
Rear fold-up bench seat (SuperCab)	●	●	●
Rear bench with folding seatback (Crew Cab)	●	—	—
Rear FlexFold <sup>™</sup> 60/40 split-bench seat, fold-flat feature with solid-steel loadfloor, grocery hooks, dual integrated cupholders and tray, and outboard head restraints (Crew Cab)	—	●	●
Rear seat delete (SuperCab)	○	—	—
Heated seats – Driver and front-passenger	—	—	○
Lumbar support – Driver and front-passenger	—	●	●
Power 6-way driver and passenger seats (passenger seat with Crew Cab only)	—	○	●
Interior			
Accessory delay for power features	—	●	●
Air conditioning	○	●	●
AM/FM stereo with digital clock	●	—	—
AM/FM stereo with single-CD player and digital clock	—	●	●
AM/FM stereo with single-CD/cassette player and digital clock	—	○	○
AM/FM stereo with 6-disc in-dash CD changer and digital clock	—	○	○
Floor covering – Black vinyl	●	○	—
Floor covering – Carpet	—	●	●
Floor mats – Color-coordinated	—	●	●
Floor mats – Black all-weather	—	○	○
Overhead console with sunglasses storage and garage door opener storage (SuperCab and Crew Cab)	—	—	●
Power-adjustable brake and accelerator pedals (with automatic transmission only)	—	○	○
Power door locks	—	●	●
Power windows with one-touch-down driver's-side feature	—	●	●
Radio delete	○	—	—
Speed control/tilt steering wheel	○	●	●
Steering wheel – Black leather-wrapped	—	—	●
Storage tray – Behind seat	—	●	●
Upfitter switches – 4	○	○	○
Visors with passenger mirror	●	●	—
Visors with illuminated driver and passenger mirrors	—	—	●
Exterior			
Bumper – Front, argent painted	●	—	—
Bumper – Front, chrome <sup>4</sup>	●	●	●
Cab steps – Black molded	○	○	●
Cab steps – Black tubular	○	—	—
Daytime running lamps (Fleet only)	○	○	○
Grille – Argent painted	●	—	—
Grille – Bright	—	●	●
Headlamps – Sealed-beam halogen	●	—	—
Headlamps – Dual-beam jewel-effect <sup>4</sup>	●	●	●
Light – Underhood service <sup>4</sup>	●	●	●
Mirrors – Manual glass, manual telescoping trailer tow with 2-way fold	●	—	—
Mirrors – Power glass, manual telescoping trailer tow with 2-way fold (also heated glass, integrated turn signals and clearance lights)	—	●	●
Privacy glass (rear door windows and rear window)	—	○	●
Sliding rear window – Manual	○	○	●
Sliding rear window – Power (SuperCab and Crew Cab only)	—	—	○

<sup>4</sup>Available as part of the XL Décor Group.

## F-350/F-450/F-550 SUPER DUTY CHASSIS CAB EQUIPMENT PACKAGES

	XL	XLT	Lariat
<b>Ambulance Prep Package<sup>5</sup></b> (requires diesel engine) – Includes air conditioning, dual alternators (combined 260 amps), standard width axle included with SRW, wide-track 4.10 limited-slip axle included with DRW and maximum front spring/GAWR 4850 lbs. – 7000 lbs. (depending on model)	○	○	○
<b>Convenience Package</b> – Includes speed control/tilt steering wheel and air conditioning	○	—	—
<b>Heavy-Service Suspension Package<sup>6</sup></b> – Includes 1-up heavy-service front springs (150-lb. upgrade – 4x2; 400-lb. upgrade – 4x4; not available if maximum spring is selected as standard)	○	○	○
<b>Extra-Heavy-Service Suspension Package<sup>6</sup></b> – Includes 2-up extra-heavy-service front springs (300-lb. upgrade – 4x2; 800-lb. upgrade – 4x4; not available if maximum spring is selected or standard)	○	○	○
<b>High-Capacity Trailer Tow Package</b> (F-450/F-550 with diesel engine and 4.88 axle only) – Includes 28,000 lbs. GCWR with F-450/F-550 6-speed manual transmission, 30,000 lbs. GCWR with F-450 with TorqShift, and 33,000 lbs. GCWR with F-550 with TorqShift	○	○	○
<b>Lariat Luxury Package</b> – Includes Electronic Automatic Temperature Control (EATC), auto-dimming rearview mirror, bronze-faced instrumentation cluster, instrumentation pack with enhanced message center, duplicate steering wheel audio/climate controls and woodgrain instrument-panel insert	—	—	○
<b>Snow Plow Prep Package<sup>6</sup></b> – Includes specific spring/GAWR upgrade ranging from 5200-7000 lbs. (depending on model), 140-amp alternator and unique fan clutch with 6.0L diesel (4x4 only on F-350)	○	○	○
<b>Trailer Tow Package</b> – Includes trailer brake wiring kit ready for aftermarket upfit (no controller)	○	○	●
<b>XL Décor Group</b> – Includes chrome front bumper, dual-beam jewel-effect headlamps and underhood service light	○	—	—

<sup>5</sup>Restrictions and special instructions apply. See your Ford Dealer for information. <sup>6</sup>Option and other restrictions apply. See your Ford Dealer for information.

## F-350/F-450/F-550 SUPER DUTY CHASSIS CAB INTERIOR DIMENSIONS

	Regular Cab	SuperCab	Crew Cab
<b>Front</b>			
Head room	41.1"	41.4"	41.3"
Shoulder room	68.0"	68.0"	68.0"
Hip room	67.4"	67.4"	67.4"
Leg room	41.0"	41.0"	41.0"
Volume (cu. ft.)	66.3	66.8	66.6
<b>Rear</b>			
Head room	—	38.2"	40.8"
Shoulder room	—	68.0"	68.0"
Hip room	—	67.3"	67.3"
Leg room	—	32.2"	41.7"
Volume (cu. ft.)	—	48.4	67.0
Total volume (cu. ft.)	66.3	115.2	133.6







## F-350/F-450/F-550 SUPER DUTY CHASSIS CAB POWERTRAIN SPECIFICATIONS

	5.4L 3-Valve Triton™ V8	6.8L 3-Valve Triton V10	6.0L Power Stroke® V8 Turbo Diesel
Type	SOHC	SOHC	OHV (32-valve)
Fuel injection	Sequential Electronic	Sequential Electronic	Electro-hydraulic w/ Generation 2 fuel injection
Engine control system	Electronic	Electronic	Electronic
Induction system	Specially tuned	Specially tuned	Electronic Variable Response Turbocharger (EVRT™), intercooler
Battery	12-volt; 750-cca/78-amp	12-volt; 750-cca/78-amp	Dual 12-volt; 750-cca/78-amp
Alternator	130-amp*	130-amp*	130-amp;* optional dual 260 amps (120/140 combined)
Cooling system	Pressurized series flow	Pressurized series flow	Pressurized series flow
Cylinders	8	10	8
Cylinder head material	Aluminum	Aluminum	Cast iron
Block material	Cast iron	Cast iron	Cast iron
Valve operation	Hydraulic roller	Hydraulic roller	Push rod/rocker arms
Camshaft drive	Variable cam timing	Silent chain	Gear
Bore	3.55"	3.55"	3.74"
Stroke	4.16"	4.16"	4.13"
Compression ratio	9.8:1	9.2:1	18.0:1
Horsepower (hp @ rpm)	300 @ 5000	362 @ 4750	325 @ 3300
Torque (lb.-ft. @ rpm)	365 @ 3750	457 @ 3250	570 @ 2000
Recommended fuel	Unleaded	Unleaded	Diesel

\*Cold performance at 80°F produces 130 amps. Actual output is temperature dependent.

## BUSINESS PREFERRED NETWORK

Each of the select dealerships in our Business Preferred Network (BPN) is committed to providing quality commercial-oriented products and service, as well as special financing and billing arrangements, to businesses that rely on Ford products. As a BPN customer, your business vehicles receive priority service at your BPN dealership, to help get your vehicle back on the road quickly.



**Business Preferred Network**  
SALES SERVICE FINANCE

## FINANCIAL SERVICES

Our commercial purchase plans offer attractive rates, negotiable terms and business-friendly options, while CommercialLease<sup>SM</sup> and CommercialLeasePlus<sup>SM</sup> offer a variety of package options to meet your leasing needs. Contact us at 1-877-234-FMCC (3622) or visit our Web site at fordcredit.com.



## COLOR & TRIM

Tan
Medium Flint
<b>XL/XLT/Lariat</b>
● Oxford White
● Arizona Beige Metallic
● Red
● Dark Toreador Red Metallic
● Dark Green Satin Metallic
● Medium Wedgewood Blue Metallic
● True Blue Metallic
● Silver Metallic
● Dark Shadow Grey Metallic
● Dark Stone Metallic
● Black



Tan Vinyl



Medium Flint Vinyl



Tan Cloth



Medium Flint Cloth



Tan Cloth/Vinyl Weave



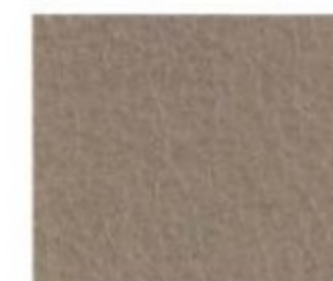
Medium Flint Cloth/Vinyl Weave



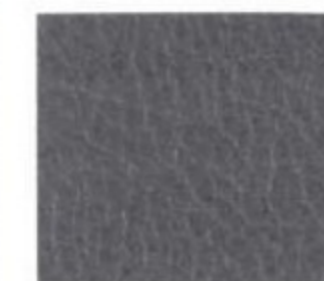
Tan Premium Cloth



Medium Flint Premium Cloth



Tan Leather



Medium Flint Leather

## EXTERIOR COLORS



Oxford White



Arizona Beige Metallic



Red



Dark Toreador Red Metallic



Dark Green Satin Metallic



Medium Wedgewood Blue Metallic



True Blue Metallic



Silver Metallic



Dark Shadow Grey Metallic



Dark Stone Metallic



Black

Ford uses clearcoat paint for beauty and protection. Colors shown are representative only. Not all colors are available on all models. See your dealer for actual paint/trim options. Vehicles shown may contain optional equipment.

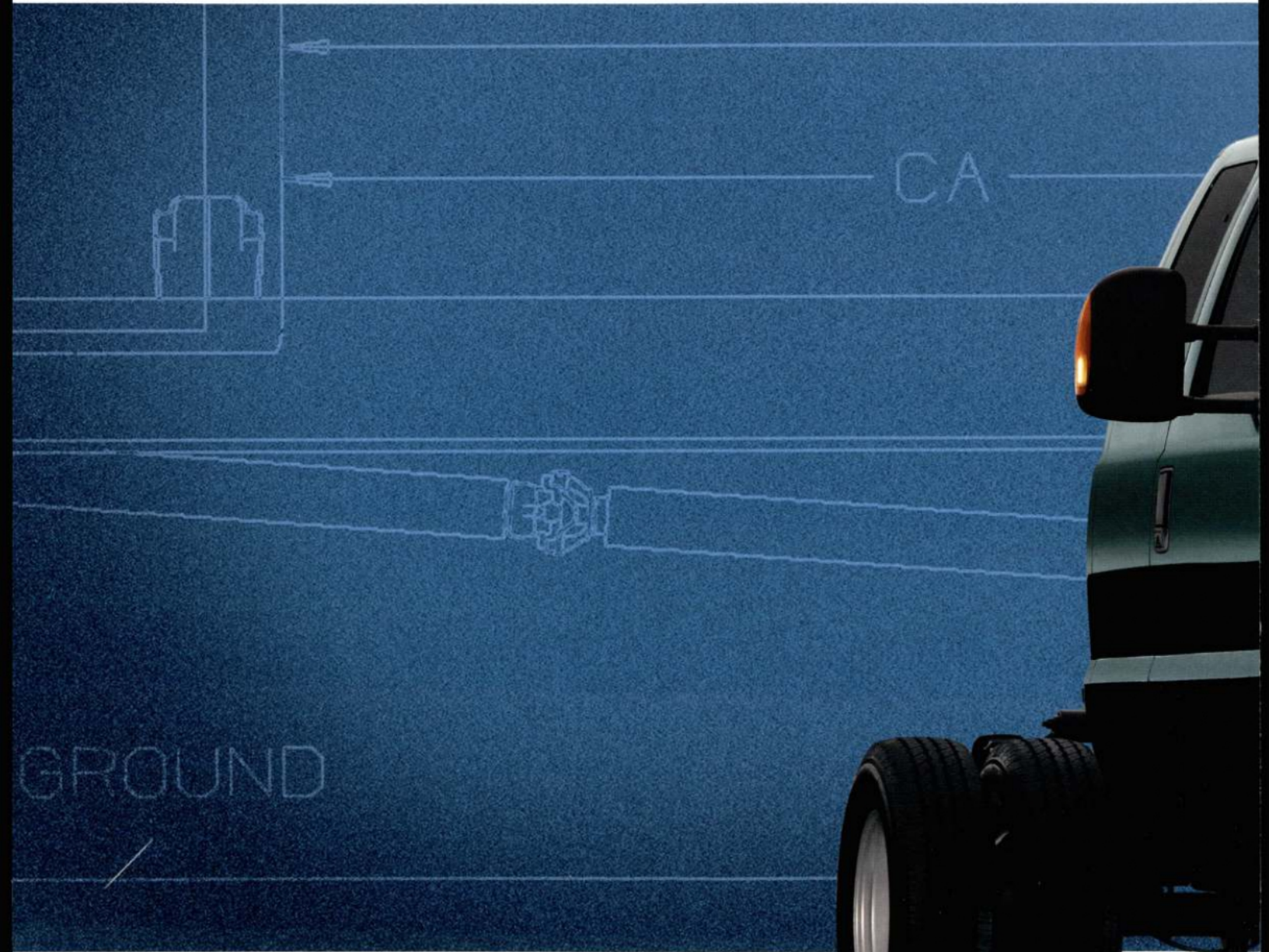
### New Vehicle Limited Warranty

Under this warranty, you receive bumper-to-bumper coverage for 3 years/36,000 miles with no deductible. You also receive corrosion perforation coverage for 5 years with unlimited mileage and no deductible. Ask your Ford Dealer for a copy of the warranty.



For a purchase or lease, the Ford **Extended Service Plan (ESP)** gives you "Peace-of-Mind" protection designed to cover key vehicle components and protect you from the cost of unexpected repairs. Ask your dealer for an ESP backed by Ford Motor Company and honored at all Ford dealerships.





©2004 Ford Motor Company 05350-450C0CAT  
Litho in USA on recycled paper (20% post consumer)

[commtruck.ford.com](http://commtruck.ford.com)