

CHRYSLER SEBRING 1996



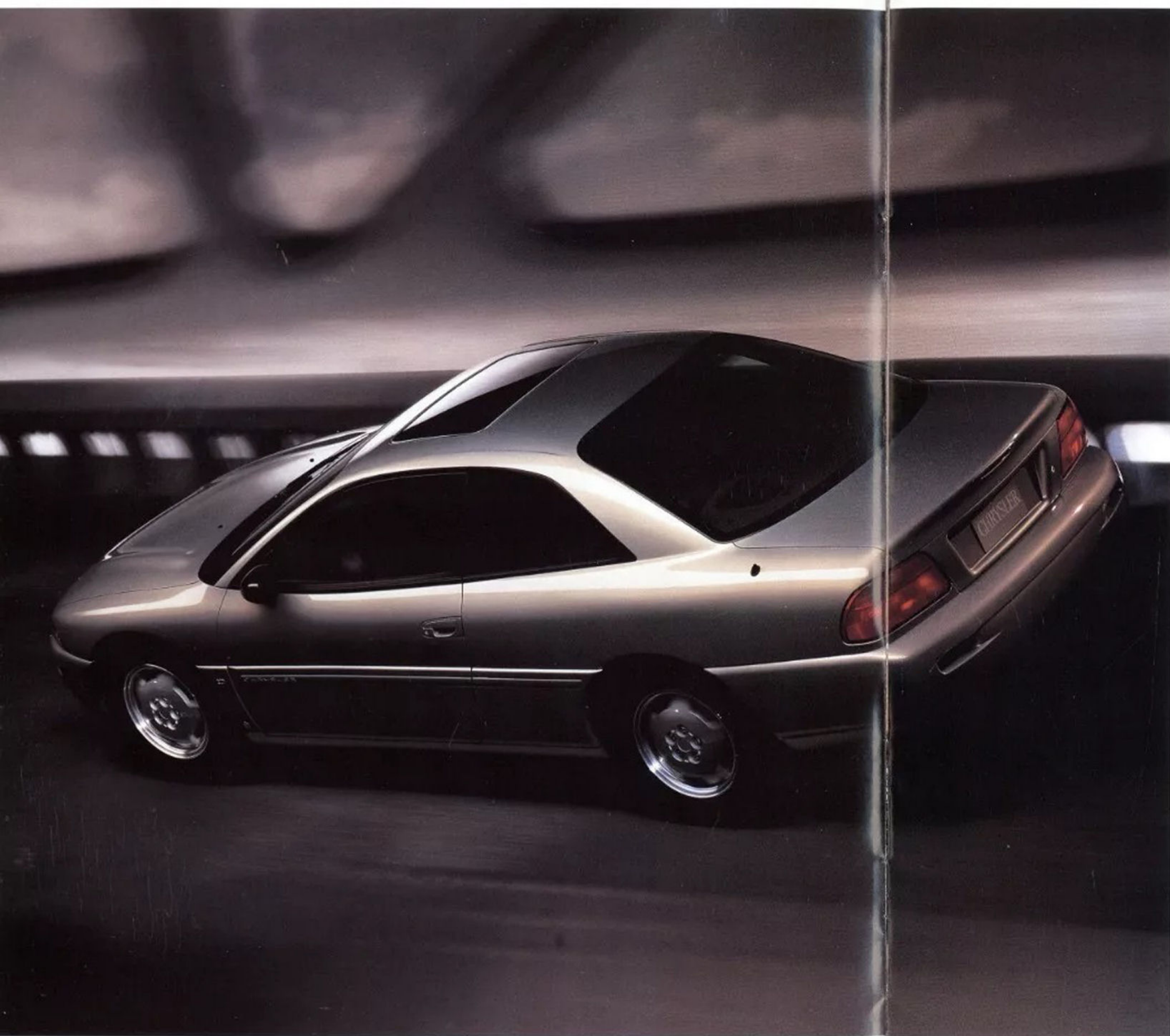


Get out of the commonplace and
into the rare excitement of
Chrysler Sebring. Take the wheel
of this uncommon new car,
created by Chrysler to fulfill the
demands of sports coupe buyers.
Sebring offers swift performance,
superior handling, and a
comfortable ride... luxuriously...
all this at an affordable price.
If you didn't think it was possible
to unite Sebring advantages
in one and the same car, take
Sebring for a revelation drive.

ABOUT THIS CATALOGUE: Since the time of printing, some of this information may have been updated.
Ask your Dealer for details before ordering. Some of the equipment shown or described throughout this catalogue is available at extra cost.



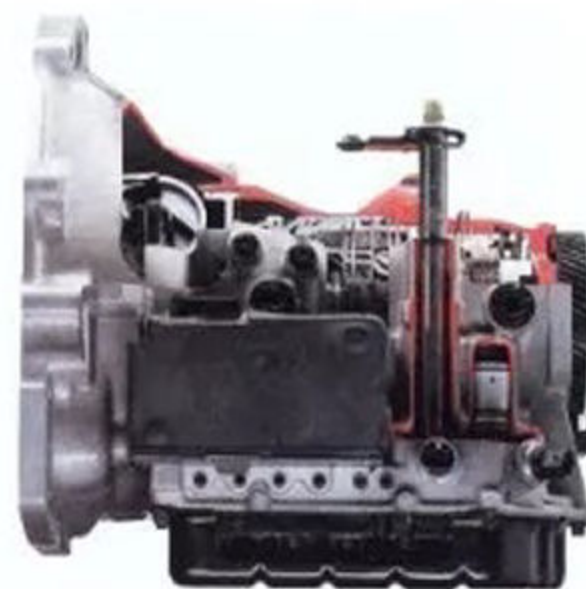
Get out of the commonplace and
into the rare excitement of
Chrysler Sebring. Take the wheel
of this uncommon new car,
created by Chrysler to fulfill the
demands of sports coupe buyers.
Sebring offers swift performance,
superior handling, and a
comfortable ride... luxuriously...
all this at an affordable price.
If you didn't think it was possible
to unite Sebring advantages
in one and the same car, take
Sebring for a revelation drive.



When the driver-oriented cockpit of Sebring beckons you to sit inside, don't resist. Turn the key and head for the open road... let the smooth multi-valve engine show you the joy of rare performance.

BEAUTIFULLY REFINED POWER

Sebring was conceived, designed and engineered for driving enthusiasts... so if you're ready to go somewhere in this life fast, comfortably, and



with pleasure, you're ready for performance Sebring-style. Go ahead... try it. You'll find the response is powerful, yet absolutely refined.

Under the cleanly sculpted hood of Sebring LX is a technological work of art... a standard 2.0-litre 16-valve dual overhead cam four-cylinder engine that's designed to help you find the passing lane from boredom.

Developing 104 kilowatts (140 horsepower) at 6000 rpm, this impressive performer is offered on Sebring LX with a standard five-speed manual, or with optional four-speed automatic.

Or experience the refinement of a 2.5-litre 24-valve single overhead cam V6 engine[†] mated to a four-speed electronic transaxle, standard on Sebring LXi and optional on Sebring LX.

[†]Built by Mitsubishi Motors Corporation.



Aggressive yet smooth and efficient, the 2.5-litre V6, standard on Sebring LXi and optional on LX models, features four valves per cylinder driven by single overhead camshafts.



UNCOMMON LIVING ROOM



Sebring is built for drivers who like long and winding roads... in comfort. Not only does this uncommon sports coupe give you interior luxury, it also gives you the luxury of generous interior space that many competitive coupes just don't measure up to.



Driver and front passenger have relaxing, stretch-out room. Look at the rear passenger area with abundant head, hip and legroom plus a lockable split-folding seatback to simultaneously accommodate a passenger and a pair of skis. The trunk is extremely roomy for short or long trips, with an adjustable cargo net standard on LXi models, optional on LX.

Thoughtful details abound. A simulated woodgrain centre console has two cup holders and a concealed storage area. There are easy-to-use switches for all functions, including power windows

and door locks, and power heated mirrors, optional on LX, standard on LXi.



And the power sunroof, optional on both models, has a one-touch open-all-the-way feature.

A power driver's seat, optional on LX, standard on LXi, features reclining seatbacks, adjustable head restraints, and a six-way power adjuster with recliner memory.



INNER QUALITY

A quality car is a quiet car. Extraordinary measures have been taken to create the quietness of Sebring. Noise abatement insulation is used in areas from instrument panel to trunk. Several additional locations also use sound deadening pads and silencer pads.

To help ensure the longevity of your investment in Sebring, eighty percent of its durable body is constructed from corrosion-resistant steel. High-tensile steel plate in major components of the chassis and body provide increased structural rigidity for better handling and a more comfortable ride.

(1)



(2)



For your listening pleasure

- (1) Stereo Sound System with 4 speakers. Standard on Sebring LX.
- (2) AM/FM Stereo Cassette Sound System with four speakers. Optional on Sebring LX.
- (3) AM/FM Stereo Cassette Sound System with Graphic Equalizer and eight Infinity™ speakers in six locations. Standard on Sebring LXi, optional on LX.

The toughest test of quality is on the road.



Sound chamber testing at the Chrysler Technology Centre.

That's why Sebring was subjected to arduous testing on the evaluation course at the Chrysler Technology Centre. Sebring also underwent extensive cold-weather testing in near-arctic conditions and baked in the desert heat of the Chrysler proving grounds in Arizona. The results of this testing ensure a car of inner, long-lasting quality.

(3)



(4)



- (4) AM/FM Stereo Cassette/Compact Disc Sound System with Graphic Equalizer and eight Infinity™ speakers in six locations. Optional on Sebring LXi and LX. A trunk-mounted remote compact disc changer is available as a Mopar-installed option.

THE CORNER ON CONFIDENCE

Tracking around cloverleaves and through curves is exhilarating in Sebring, thanks to the fully independent double-wish-bone suspension system. In this system, ride characteristics are tuned separately

from those responsible for handling. This means crisp, confident handling without sacrificing smooth ride comfort. Standard speed-proportional steering eases parking lot manoeuvres while

maintaining a precise feel at highway speeds. Road noise and vibration are minimized, while an extremely rigid body improves stability and helps reduce wind noise.



A rigid body is one of the main elements of the exceptional ride and handling you enjoy in Sebring.



CHRYSLER FIVE STAR SERVICE ☆☆☆☆☆

There's one commitment uppermost in our minds and that's to keep your new Sebring performing at its optimum. That's why we've taken extra care to equip our new vehicles with state-of-the-art diagnostics, and to provide our dealers with the training their service departments need to use them for their maximum effectiveness. Service

technicians specially trained in the maintenance and repair of Sebring, and the sophisticated equipment today's cars and trucks demand, will help ensure that no one will be able to serve you better than your Chrysler Canada dealership.



The Mopar Diagnostic Service computer taps into your car's electronic control system to find the problem and get you back on the road fast.



Mopar
ACCESSORIES
Your FIRST choice

Make Genuine Mopar Accessories your first choice for Sebring. They're designed specifically for Chrysler vehicles and approved by Chrysler engineers. See your dealer for the complete range of Mopar Accessories including:

- Bike carriers
- Ski racks
- EVS II security system
- Trunk mounted compact disc changer
- Front end covers.

CHRYSLER SEBRING SPECIFICATIONS

SELECTED STANDARD AND OPTIONAL FEATURES	Sebring		SELECTED STANDARD AND OPTIONAL FEATURES	Sebring	
	LX	LXi		LX	LXi
Air Bag* System – Driver's side – Integral with steering wheel; passenger's side – located in the instrument panel	S	S	Fog Lamps	S	S
Air Conditioning – Manual temperature control	O	S	Fuel Filler Cap – Tethered	S	S
Air Conditioning/Heat Ducts Rear Seats – Located in the back of centre console	S	S	Fuel Tank – 64 litres (14.1 Imp. gal.)	S	S
Alternator – 90-amp	S	NA	Glass, Tinted – All windows	S	S
110-amp	O ⁽¹⁾	S	Glove Box – Locking with light	S	S
Antenna – Fixed; rear, black	S	S	Headlights, Dual Halogen – Aerodynamic	S	S
Assist Handle – Passenger side	S	S	Instrument Cluster – Analogue: with electrically driven speedometer, tachometer, odometer and trip odometer, gauge for fuel level, warning lights for brake fluid level, oil pressure, check engine, parking brake, charging system, coolant level, low fuel, seat belts, high beam, air bag, door/deck lid ajar, windshield washer fluid (ABS, security alarm, speed control when so equipped and oil pressure gauge with V6 engine)	S	S
Battery – 525-amp, maintenance-free	S	S	Lights – Exterior: halogen headlights; "full-across" taillights; CHMSL integral with deck lid	S	S
Brakes – Power, front disc/rear drum	S	NA	Interior: dual front reading/courtesy with time delay, rear courtesy in console; glove box, ignition switch with time delay, trunk	S	S
Power, four-wheel disc	O ⁽¹⁾	S	Map Pockets – Door	S	S
Power front disc/rear drum with anti-lock (ABS)	O	NA	Mirrors – Exterior: dual manual remote, black	S	NA
Power, four-wheel disc with anti-lock (ABS)	O ⁽²⁾	O	Dual power, heated, black	O	S
Cargo Net – Luggage compartment	O	S	Interior: rearview day/night; dual visor vanity with covers	S	S
Carpeting – Passenger compartment and trunk area	S	S	Dual visor vanity, illuminated	O	S
Child Seat Anchorage Provision	S	S	Radios – AM/FM stereo electronically tuned with four speakers	S	NA
Chimes – Key-in-ignition, headlights-on	S	S	AM/FM stereo cassette with seek and four speakers	O	NA
Clock, Digital – Integral with all radios	S	S	Premium AM/FM stereo with seek and scan, cassette player, eight Infinity™ speakers and graphic equalizer	O	S
Coat Hooks – Rear (2)	S	S	AM/FM stereo with cassette/CD player, seek and scan, eight Infinity™ speakers and graphic equalizer	O	O
Console – With armrest, cup holders, juice box holder, forward storage receptacle and covered power outlet/lighter receptacle	S	S	Digital clock, integral with every radio	S	S
Corrosion Protection – Urethane protective coating on lower body panels and extensive use of galvanized steel	S	S	Remote Keyless Entry – With panic alarm	O	S
Cup Holders – Front (2); one exposed, one in covered storage	S	S	Remote Release – Deck lid and fuel door	S	S
Daytime Running Lights	S	S	Seat Belts – 3-point lap/shoulder belts at outboard positions, front (2), rear (2) with adjustable turning loops on front shoulder belts to optimize comfort for persons of differing heights; lap belt at centre position, rear	S	S
Defroster – Rear window electric	S	S	Seats – Front: Cloth bucket, reclining with adjustable head restraints	S	NA
Demisters – Front side windows	S	S	Premium cloth buckets, with driver's side manually adjustable lumbar support and adjustable head restraints	NA	S
Door Beams – Side intrusion	S	S	Leather seat trim with 6-way power driver's seat	NA	O
Door Handles – Flush mounted, body-colour	S	S	Power 6-way driver's seat	O	S
Door Locks – Power	O	S	Rear: Split fold-down with integral headrests and locking seatbacks	S	S
Engines – 2.0-litre 4-cylinder DOHC 16-valve SMPI	S	NA			
2.5-litre V6 SOHC 24-valve SMPI	O	S			
Exhaust System – Stainless steel	S	S			
Floor Mats – Front and rear	S	S			

CHRYSLER SEBRING SPECIFICATIONS

SELECTED STANDARD AND OPTIONAL FEATURES	Sebring		ENGINE SPECIFICATIONS	2.0-Litre 4-cyl.		2.5-Litre V6*	
	LX	LXi		DOHC 16-valve	SOHC 24-valve	SMPI	SMPI
Security Alarm System	O	S	Net Power – kW (bhp) @ rpm	104 (140) @ 6000	122 (163) @ 5500		
Smoker's Package (cigar lighter and ashtray)	O	O	Net Torque – N-m (lb-ft) @ rpm	176 (130) @ 4800	230 (170) @ 4350		
Speed Control	O	S	Bore and Stroke mm (in.)	88 (3.45) 83 (3.27)	83 (3.28) 76 (2.99)		
Steering – Power-assisted rack-and-pinion, speed-proportional	S	S	SMPI – Sequential Multi-Point (port) Fuel Injection SOHC – Single Overhead Camshaft DOHC – Dual Overhead Camshaft *Built by Mitsubishi Motors Corporation				
Steering Column – Tilt	S	S	ENGINE AND TRANSMISSION AVAILABILITY				
Steering Wheel – Leather wrapped	NA	S	2.0-Litre 4-cyl.		2.5-Litre V6		
Stoplight – Supplemental centre high-mounted (CHMSL)	S	S	Sebring LX – Standard	5-speed manual	–	–	
Sun Visors – Driver and passenger with covered vanity mirrors (illuminated standard on LXi, optional on LX)	S	S	– Optional	4-speed automatic	4-speed automatic	4-speed automatic	
Sunroof – Power	O	O	Sebring LXi – Standard	–	–	4-speed automatic	
Suspension – Touring tuned – Front and rear fully independent double wishbone with front stabilizer bar	S	S	– Not available				
Tires – P195/70HR14, Black Sidewalls, All-Season Touring	S	NA	EXTERIOR DIMENSIONS, WEIGHTS AND CAPACITIES				
P205/55HR16, Black Sidewalls, All-Season Performance	O ⁽¹⁾	S	mm		in.		
Transmissions – Five-speed manual (NA with V6)	S	NA	Wheelbase	2635	103.7		
Four-speed automatic	O	S	Overall length	4760	187.4		
Transmitter – Garage door opener	O	S	Overall width at body	1770	69.7		
Windows – Power, with driver's side one-touch-down feature	O	S	Overall height	1345	53.0		
Windshield Wipers – Two-speed with variable intermittent wipe feature	S	S	Track – front/rear mm (in.)	1510 (59.5)/1505 (59.3)			

S – Standard O – Optional NA – Not Available *Always wear your seat belt. ⁽¹⁾Included with optional 2.5L V6 engine. ⁽²⁾4-wheel disc with anti-lock only optional with the 2.5L V6.

EXTERIOR COLOURS

	
Black	Spanish Olive
	
Medium Grey	Bright White
	
Light Autumnwood	Wildberry
	
Silver Mist	Polo Green

Specifications, descriptions and illustrative material contained herein are based on authorized information. Although specifications, descriptions and illustrations were believed to be correct at the time this publication was approved for printing, accuracy cannot be guaranteed. Chrysler Canada Ltd. reserves the right to discontinue models or options at any time or change specifications and materials, equipment or design without notice and without incurring obligation.

Some equipment may not be exactly as illustrated in this publication. Some of the equipment listed, described, or illustrated herein may not be standard, and may be available only at extra cost, as factory-installed or dealer-installed; items described as "available" may be standard on some models and optional, or not available, on others. Equipment referred to as available or optional may be at extra cost. Some options are required in combination with other options. For the price of the model with the equipment you desire or verification of specifications and equipment availability contained herein, see your Chrysler Canada Ltd. Dealer.

INTELLIGENT PROTECTION

Sebring offers advanced passive and active safety technology as standard equipment. Whatever driving situation you face, you can be assured that beneath you and around you, Sebring helps protect you.

A standard driver's side air bag* is hidden beneath the Sebring steering wheel. The wheel's hub appears seamless but separates to allow deployment automatically in frontal

collisions at speeds greater than approximately 23 kilometres per hour (14 mph). A front passenger air bag* is standard. And knee blockers help prevent driver and front

**Always wear your seat belt.*

passenger from being propelled forward and down during an impact.

Ultra-high-strength steel side-guard door beams help protect occupants by absorbing energy generated by a side-impact collision.

An override switch, controlled by the driver, helps protect children by preventing them from operating the power windows (standard on LXi, optional on LX). Electronic remote keyless entry locks or unlocks doors at the push of a button, and a security alarm system flashes the headlights and sounds the horn

when the door, trunk or hood are opened without using a key or remote transmitter (standard on LXi, optional on LX).

Sebring wheel treatments add the right touch of long-wearing style.

Fourteen-inch full wheel cover is standard on Sebring LX.

Sixteen-inch full wheel cover is optional on Sebring LX.

Sixteen-inch cast-aluminum wheel is standard on Sebring LXi.



1 2.5-litre* V6 engine with 24 valves, overhead cam and sequential Multi-point electronic fuel injection is standard on Sebring LXi (optional on LX).

A 2.0-litre four-cylinder engine, standard on LX models, features dual overhead cams and four valves per cylinder. (Not available on LXi.)

**Built by Mitsubishi Motors Corporation.*

2 Four-speed electronic automatic transaxle, standard on LXi models, optional on LX, is designed to shift in sync with your expectations. **A five-speed manual transaxle**, standard on LX models, not available on LXi, takes Sebring through its paces smoothly and easily.

3 Double-wishbone suspension allows ride and handling to be tuned separately so neither is sacrificed.

4 Optional four-wheel anti-lock brakes for stopping confidence and safety.

5 A specially designed windshield moulding reduces wind noise while channelling water away from the side windows and up onto the roof.

6 Air conditioning includes rear air conditioning/heater outlets to keep Sebring driver and passengers comfortable. Standard on LXi, optional on LX.

7 A standard cool air bypass ventilation system offsets an overly warm interior by directing refreshing outside air toward the faces of both driver and front-seat passenger.

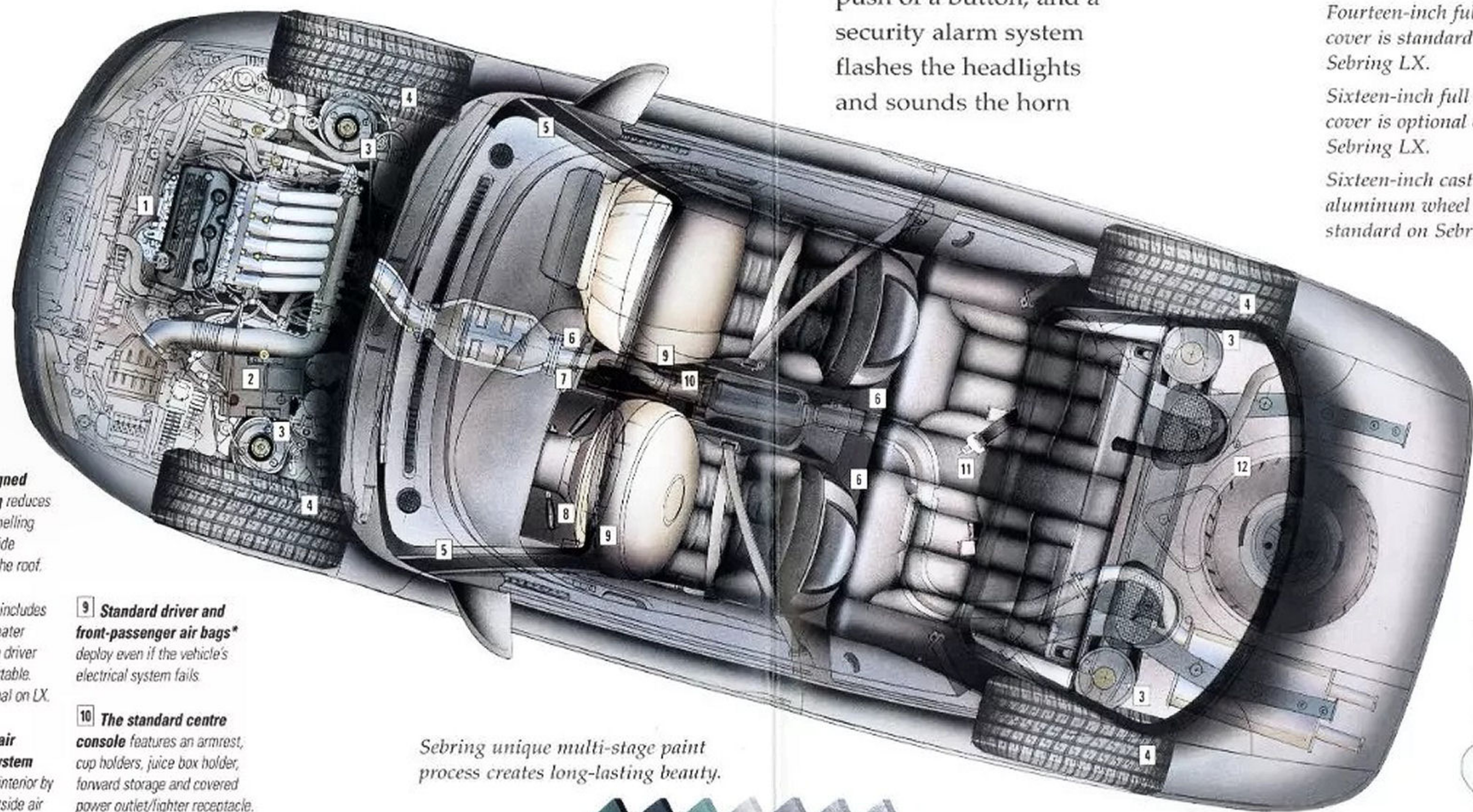
8 Standard speed-proportional (variable-assist) steering eases parking lot manoeuvres while maintaining a sporty feel of the road at highway speeds.

9 Standard driver and front-passenger air bags* deploy even if the vehicle's electrical system fails.

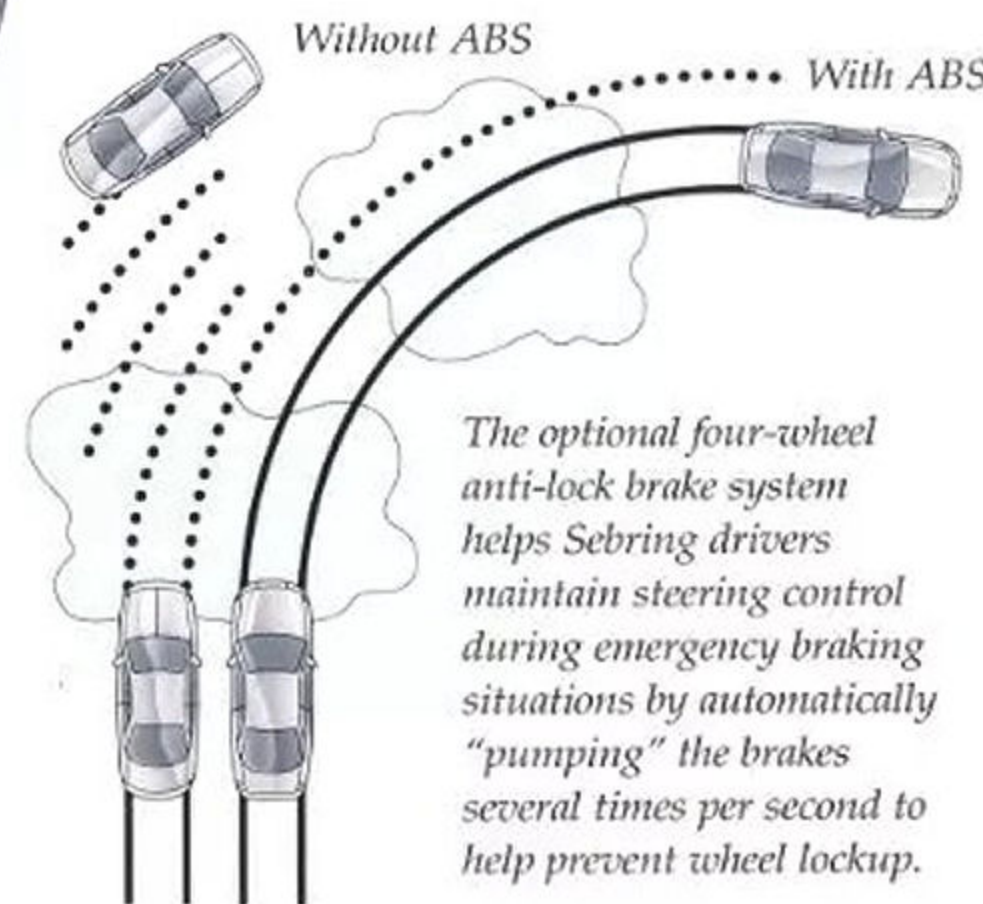
10 The standard centre console features an armrest, cup holders, juice box holder, forward storage and covered power outlet/lighter receptacle.

11 Rear head, leg and hip room this generous is uncommon in a sports coupe.

12 Spacious, low liftover trunk offers 371 litres (13.1 cubic feet) of cargo room.



Sebring unique multi-stage paint process creates long-lasting beauty.



The optional four-wheel anti-lock brake system helps Sebring drivers maintain steering control during emergency braking situations by automatically "pumping" the brakes several times per second to help prevent wheel lockup.

CHRYSLER SEBRING SPECIFICATIONS

SELECTED STANDARD AND OPTIONAL FEATURES	Sebring LX	Sebring LXi
Air Bag* System – Driver's side – Integral with steering wheel; passenger's side – located in the instrument panel	S	S
Air Conditioning – Manual temperature control	O	S
Air Conditioning/Heat Ducts Rear Seats – Located in the back of centre console	S	S
Alternator – 90-amp	S	NA
110-amp	O ⁽¹⁾	S
Antenna – Fixed; rear, black	S	S
Assist Handle – Passenger side	S	S
Battery – 525-amp, maintenance-free	S	S
Brakes – Power, front disc/rear drum	S	NA
Power, four-wheel disc	O ⁽¹⁾	S
Power front disc/rear drum with anti-lock (ABS)	O	NA
Power, four-wheel disc with anti-lock (ABS)	O ⁽²⁾	O
Cargo Net – Luggage compartment	O	S
Carpeting – Passenger compartment and trunk area	S	S
Child Seat Anchorage Provision	S	S
Chimes – Key-in-ignition, headlights-on	S	S
Clock, Digital – Integral with all radios	S	S
Coat Hooks – Rear (2)	S	S
Console – With armrest, cup holders, juice box holder, forward storage receptacle and covered power outlet/lighter receptacle	S	S
Corrosion Protection – Urethane protective coating on lower body panels and extensive use of galvanized steel	S	S
Cup Holders – Front (2); one exposed, one in covered storage	S	S
Daytime Running Lights	S	S
Defroster – Rear window electric	S	S
Demisters – Front side windows	S	S
Door Beams – Side intrusion	S	S
Door Handles – Flush mounted, body-colour	S	S
Door Locks – Power	O	S
Engines – 2.0-litre 4-cylinder DOHC 16-valve SMPI	S	NA
2.5-litre V6 SOHC 24-valve SMPI	O	S
Exhaust System – Stainless steel	S	S
Floor Mats – Front and rear	S	S

SELECTED STANDARD AND OPTIONAL FEATURES	Sebring LX	Sebring LXi
Fog Lamps	S	S
Fuel Filler Cap – Tethered	S	S
Fuel Tank – 64 litres (14.1 Imp. gal.)	S	S
Glass, Tinted – All windows	S	S
Glove Box – Locking with light	S	S
Headlights, Dual Halogen – Aerodynamic	S	S
Instrument Cluster – Analogue: with electrically driven speedometer, tachometer, odometer and trip odometer, gauge for fuel level, warning lights for brake fluid level, oil pressure, check engine, parking brake, charging system, coolant level, low fuel, seat belts, high beam, air bag, door/deck lid ajar, windshield washer fluid (ABS, security alarm, speed control when so equipped and oil pressure gauge with V6 engine)	S	S
Lights – Exterior: halogen headlights; "full-across" taillights; CHMSL integral with deck lid Interior: dual front reading/courtesy with time delay, rear courtesy in console; glove box, ignition switch with time delay, trunk	S	S
Map Pockets – Door	S	S
Mirrors – Exterior: dual manual remote, black Dual power, heated, black Interior: rearview day/night; dual visor vanity with covers Dual visor vanity, illuminated	S O S O	NA S S S
Radios – AM/FM stereo electronically tuned with four speakers AM/FM stereo cassette with seek and four speakers Premium AM/FM stereo with seek and scan, cassette player, eight Infinity™ speakers and graphic equalizer AM/FM stereo with cassette/CD player, seek and scan, eight Infinity™ speakers and graphic equalizer Digital clock, integral with every radio	S O O O S	NA NA S O S
Remote Keyless Entry – With panic alarm	O	S
Remote Release – Deck lid and fuel door	S	S
Seat Belts – 3-point lap/shoulder belts at outboard positions, front (2), rear (2) with adjustable turning loops on front shoulder belts to optimize comfort for persons of differing heights; lap belt at centre position, rear	S	S
Seats – Front: Cloth bucket, reclining with adjustable head restraints Premium cloth buckets, with driver's side manually adjustable lumbar support and adjustable head restraints Leather seat trim with 6-way power driver's seat Power 6-way driver's seat Rear: Split fold-down with integral headrests and locking seatbacks	S NA NA O S	NA S O S S

INTELLIGENT PROTECTION

Sebring offers advanced passive and active safety technology as standard equipment. Whatever driving situation you face, you can be assured that beneath you and around you, Sebring helps protect you.

A standard driver's side air bag* is hidden beneath the Sebring steering wheel. The wheel's hub appears seamless but separates to allow deployment automatically in frontal

collisions at speeds greater than approximately 23 kilometres per hour (14 mph). A front passenger air bag* is standard. And knee blockers help prevent driver and front

passenger from being propelled forward and down during an impact. Ultra-high-strength steel side-guard door beams help protect occupants by absorbing energy generated by a side-impact collision.

An override switch, controlled by the driver, helps protect children by preventing them from operating the power windows (standard on LXi, optional on LX). Electronic remote keyless entry locks or unlocks doors at the push of a button, and a security alarm system flashes the headlights and sounds the horn

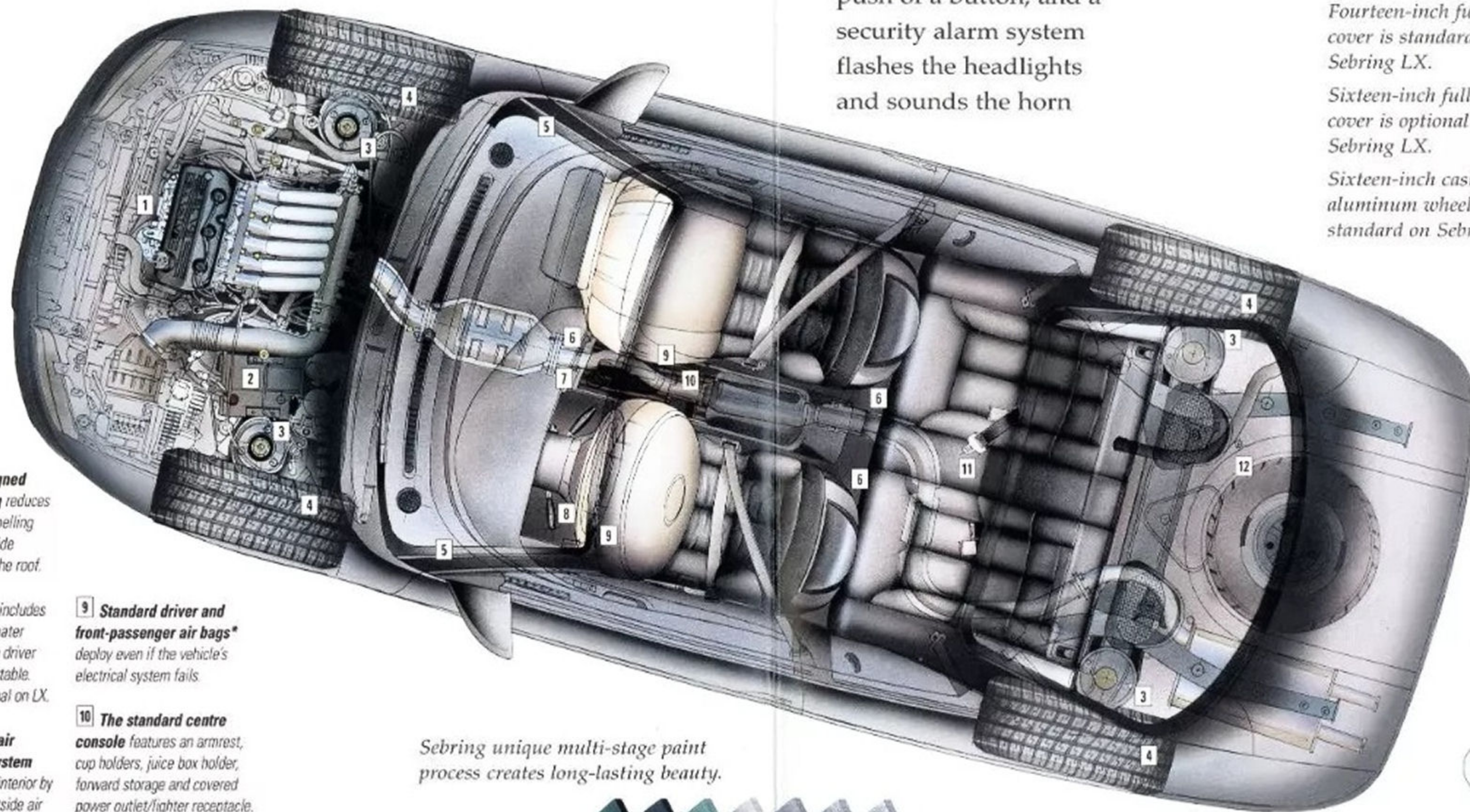
when the door, trunk or hood are opened without using a key or remote transmitter (standard on LXi, optional on LX).

Sebring wheel treatments add the right touch of long-wearing style.

Fourteen-inch full wheel cover is standard on Sebring LX.

Sixteen-inch full wheel cover is optional on Sebring LX.

Sixteen-inch cast-aluminum wheel is standard on Sebring LXi.



1 2.5-litre* V6 engine with 24 valves, overhead cam and sequential Multi-point electronic fuel injection is standard on Sebring LXi (optional on LX).
A 2.0-litre four-cylinder engine, standard on LX models, features dual overhead cams and four valves per cylinder.
*Built by Mitsubishi Motors Corporation.

2 Four-speed electronic automatic transaxle, standard on LXi models, optional on LX, is designed to shift in sync with your expectations. **A five-speed manual transaxle**, standard on LX models, not available on LXi, takes Sebring through its paces smoothly and easily.

3 Double-wishbone suspension allows ride and handling to be tuned separately so neither is sacrificed.

4 Optional four-wheel anti-lock brakes for stopping confidence and safety.

5 A specially designed windshield moulding reduces wind noise while channelling water away from the side windows and up onto the roof.

6 Air conditioning includes rear air conditioning/heater outlets to keep Sebring driver and passengers comfortable. Standard on LXi, optional on LX.

7 A standard cool air bypass ventilation system offsets an overly warm interior by directing refreshing outside air toward the faces of both driver and front-seat passenger.

8 Standard speed-proportional (variable-assist) steering eases parking lot manoeuvres while maintaining a sporty feel of the road at highway speeds.

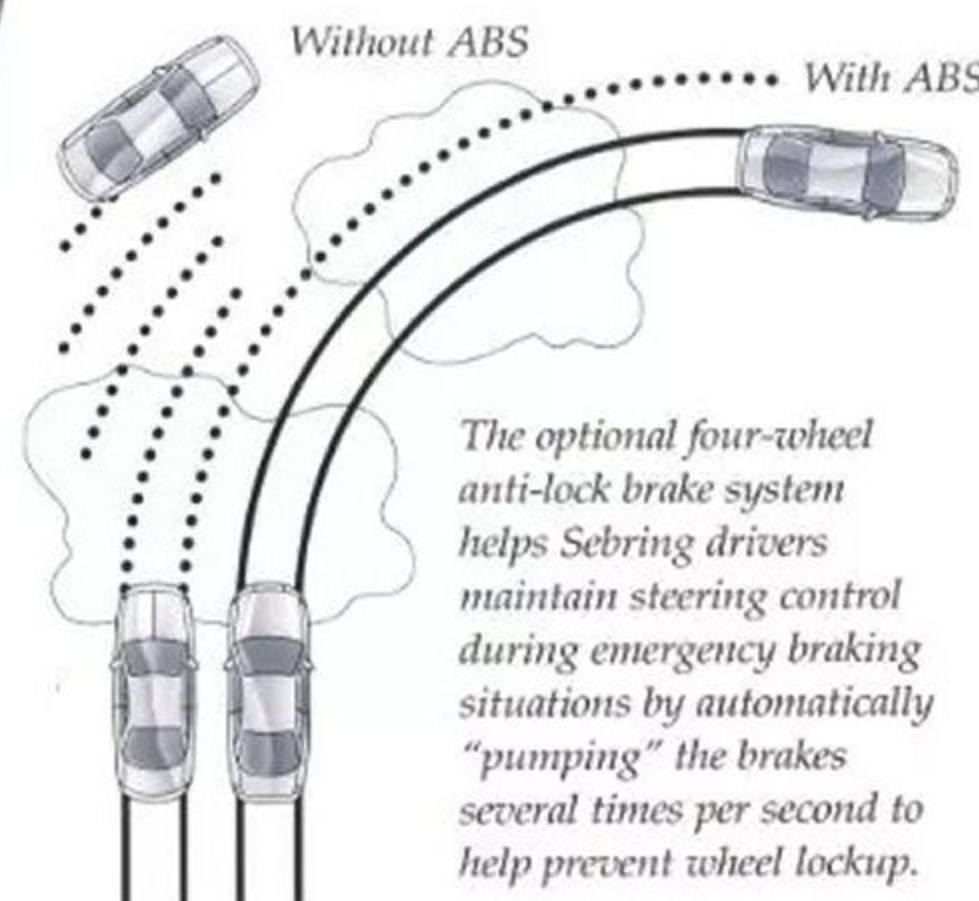
9 Standard driver and front-passenger air bags* deploy even if the vehicle's electrical system fails.

10 The standard centre console features an armrest, cup holders, juice box holder, forward storage and covered power outlet/lighter receptacle.

11 Rear head, leg and hip room this generous is uncommon in a sports coupe.

12 Spacious, low liftover trunk offers 371 litres (13.1 cubic feet) of cargo room.

Sebring unique multi-stage paint process creates long-lasting beauty.



The optional four-wheel anti-lock brake system helps Sebring drivers maintain steering control during emergency braking situations by automatically "pumping" the brakes several times per second to help prevent wheel lockup.

CustomerOne

Innovative engineering. Advanced design. Quality manufacturing. All are embodied in every passenger car, minivan and truck we make. But to you, the buyer or lessee, our efforts find focus in just one place: the dealership.

To ensure that your experience will be a satisfactory one, Chrysler Canada has joined with our dealers in an extensive educational initiative.

It's called Customer One and it establishes one unbreakable rule: Treating every customer with honesty and respect.

Customer courtesy is not a goal – it is an imperative. Product knowledge is another essential, imparted to dealership personnel through training materials and hands-on driving sessions. And service personnel too are involved in the process, for their understanding of an owner's needs must go far beyond the purely technical.

Every aspect of Customer One training is aimed at making your needs as a customer the first priority of each employee at every Chrysler Canada dealership.



Warranty

Warranty coverage is an important part of the ownership experience. Chrysler Canada's 1996 warranty is designed to be simple and straightforward, while providing protection that meets the needs of Canadian drivers. It's this simple – almost everything is covered for 3 years or 60,000 km,* except for tires and a few wear items. All body sheet metal panels have rust-through coverage for 3 years, regardless of distance driven, and outer body panels are covered for 7 years or 160,000 km.* In addition, Chrysler Canada will provide a 24-hour no-charge roadside assistance plan for 3 years or 60,000 km.* See your dealer for details.

**Whichever occurs first.*

Corrosion Protection

The Sebring corrosion protection and paint process is backed by the Chrysler 7/160 Anticorrosion Limited Warranty. Galvanized panels are treated with phosphate, then submerged in an electrocoat bath of zinc-rich primer/surfacer, followed by an antichip coating for the lower body sides and full body antichip coat. Two high-lustre colour coats are applied and are protected by two clear coats that provide resistance to abrasion, weathering, and chemicals.

Chrysler Service Contracts

Optional Chrysler service contracts can provide owners with additional peace of mind. They are available in a variety of time and distance combinations to meet your particular ownership needs.

Financing Assistance

Chrysler Credit offers qualified buyers a wide variety of new vehicle purchase financing plans, including Retail Financing, Gold Key and College/University Graduate Plans.

The Leasing Alternative

It pays to consider the advantages of leasing. Your dealer will be pleased to discuss our wide range of available leasing options – and the benefits you may enjoy through this increasingly popular alternative to buying. Ask about Gold Key Lease.

Chrysler Five Star Service

Your dealer has all the factory-trained technicians and the specialized equipment needed to offer you the best possible maintenance and repair services for your new vehicle.

Mopar Parts

When replacement parts are needed, be sure to specify genuine Mopar parts – the first choice of Chrysler engineers.

Mopar Accessories

To enhance the style, comfort, and function of your new vehicle, make Genuine Mopar Accessories your first choice. Designed specifically to fit right and work right for your model, they will be covered by your vehicle warranty when installed before you take delivery.

Physically Challenged Assistance Programme

A programme which provides assistance towards the cost of purchase and installation of adaptive driving aids or passenger equipment on new 1996 vehicles. For further information, contact your dealer.



For more information contact your dealer or call:

1-800-361-3700