

# TRANSIT CONNECT

SUMMER 2009







PRESENTING THE PURPOSE-BUILT VAN  
THAT'S AS UNIQUE AS YOUR BUSINESS

The breakthrough Transit Connect: Ford's first dedicated small commercial van. Industrial strength. Serious payload. Unlimited loadbox flexibility. Impressive cargo height. Six doors. Agile city-smart handling. And dual-purpose functionality with available 5-passenger seating. Backed by real-world reliability – a proven, award-winning, European commercial-vehicle platform. At your service, Summer 2009.



Delivery: from catering and floral to auto parts and dry cleaning. No matter your specialty, Transit Connect gives you the ability to make it happen with a payload of up to 1,600 lbs!

Generous exterior panel space allows for a colorful, professional business card. The near-vertical sides also make for maximum stowage space – load width is over 4'. Load length measures over 6' to help transport your extra-long cargo.


## [ CONNECT PERFECTLY ]



### OUT-OF-THE-BOX VERSATILITY

#### AVAILABLE "DELIVERY" UPFIT

- Steel, sectioned Cargo Management System is readily accessible inside or out, and finished with a durable, textured powder coat
- Flexible shelving adjusts in depth and height, accommodating anything up to 36" deep and 44" wide
- Shelves supported on rubber and polymer guides for easy movement and reduced noise
- Fixed safety partition has a set-back to maximize seating comfort
- Heavy-duty handcart is at the ready

 **ADRIAN STEEL** Delivery interior package designed and installed by Adrian Steel.







Parcel: from restaurant supplies and newspapers to courier and messenger duties. You'll benefit from open-wide front doors, sliding dual side doors, plus a swinging pair of rear doors that get a full 180° out of the way (270° doors optional). In other words, no problem moving your goods in and out. And you can customize your loadbox without ever drilling a hole – 2 lashing points in the corrugated floor contain removable eyes that plug in to any of the 10 sockets strategically built into the sides.

[ CONNECT EASILY ]



#### OUT-OF-THE-BOX VERSATILITY

##### AVAILABLE "PARCEL" UPFIT

- Sliding, fully extendable drawers carry up to 400 lbs. and are coated with a durable, textured finish
- Full-length safety partition is composed of welded wire and can be adjusted to fit behind the 1st or 2nd row

*Leggett & Platt* Parcel interior package designed and installed by Leggett & Platt CVP.



Services: from home electronics installation and appliance repair to pest control and carpet cleaning.

Transit Connect empowers you. Impressive handling. Tight turning radius. Ergonomic cabin with overhead storage. Six-way adjustable driver seat. Makes for excellent multi-stop comfort and convenience.

But what about taking comfort in knowing all is well-protected when you step away? Double-sided steel doors utilize a unique lock-in-latch system. The fuel cap is locking. And the hood locks too.



## [ CONNECT SECURELY ]

### OUT-OF-THE-BOX VERSATILITY

#### AVAILABLE "SERVICES" UPFIT

- Steel storage module includes lockable drawers, notched uprights and high-strength, hemmed shelving
- Securable, easy-access aluminum handcart holds 500 lbs.
- Custom-cut, heavy-duty rubber floor mat has an air-cushion design that's anti-skid and that muffles sound
- Welded, wired safety partition is sliding and can be repositioned
- Roof-mounted, powder-coated ladder rack makes loading and off-loading a simple, one-person job

**DEJANA** Services interior package designed and installed  
Truck and Utility Equipment Co. by Dejana Truck and Utility Equipment Co.

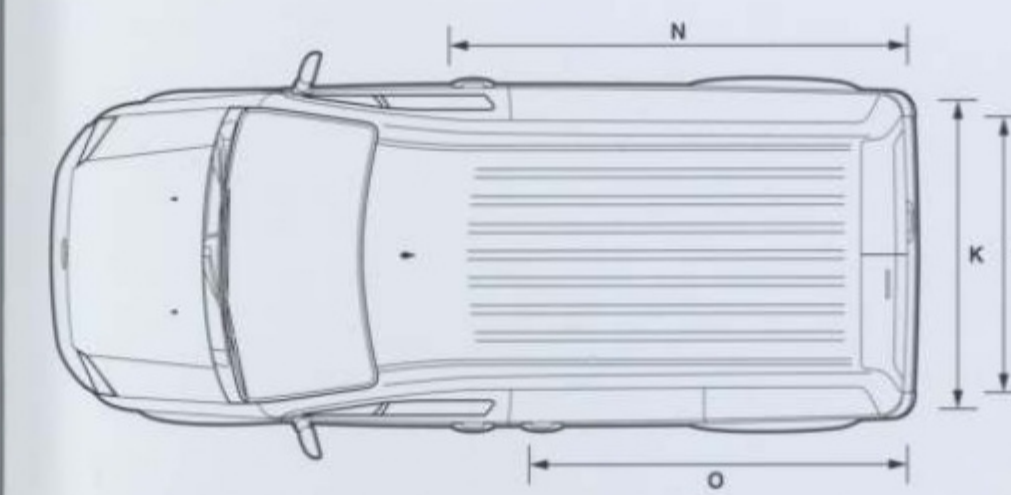
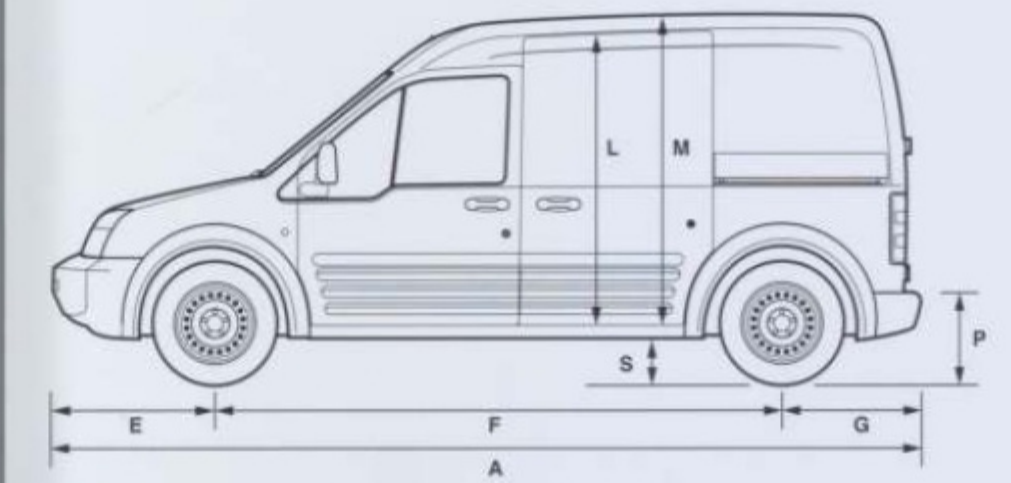
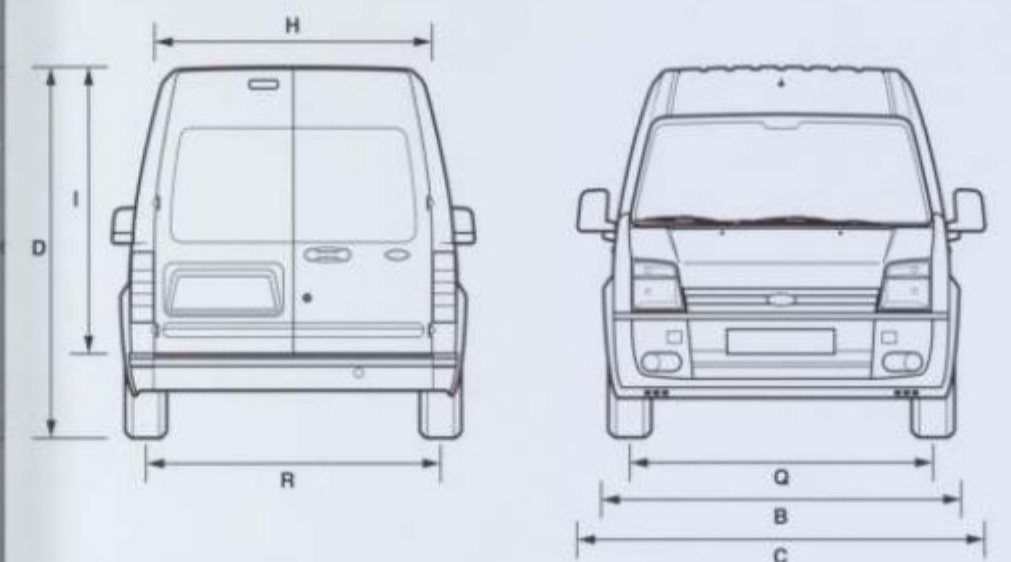




**VERSATILE, CAPABLE, DEPENDABLE,  
ACCESSIBLE, MANEUVERABLE,  
COMFORTABLE & AFFORDABLE**

**Select Standard Features**

- 2.0L 16-Valve I-4 Duratec Engine w/136 hp and 136 lb.-ft. of Torque
- Front-Wheel Drive (FWD)
- 4-Speed Automatic Transmission w/Overdrive
- 15" Steel Wheels w/Wheel Covers
- 180° Rear Barn-Door Hinges (optional 270° hinges on XLT)
- 2nd-Row Dual Sliding Doors w/Privacy Glass
- Lock-In-Latch Shielded Door Locks
- Rear Fog Lamps
- Manual 6-Way Adjustable Cloth Driver Seat (fore/aft/up/down/recline, plus lumbar)
- 2nd-Row, Split-Folding/Removable Seat
- Air Conditioning
- AM/FM Stereo
- Audio Input Jack and 2 Front Power Points
- Front Overhead Storage Shelf
- Tilt/Telescoping Steering Wheel
- Collapsible Steering Column
- Tire Pressure Monitoring System (TPMS)
- Front Airbags and Front-Seat Side Airbags
- Anti-Lock Brake System (ABS)
- Front Independent MacPherson Strut Suspension w/Variable-Rate Springs; Front and Rear Anti-Roll Bars; and Rear Multileaf Spring Suspension
- Boron Steel Front Crossmember
- Polycarbonate Headlamps and Taillamps

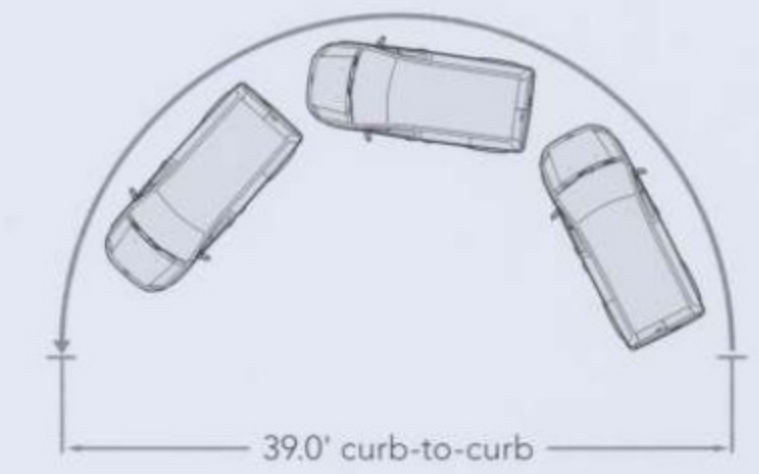


**Dimensions (in.)**

A	Overall length	179.3
B	Overall width without mirrors	70.7
C	Overall width with mirrors	84.0
D	Overall height (laden/unladen)	75.0/78.0
E	Front overhang	31.2
F	Wheelbase	114.6
G	Rear overhang	29.5
H	Rear door opening width below belt	50.9
I	Rear door opening height	51.8
J	Load width between wheel arches	48.3
K	Load width	56.7
L	Side door opening height	49.5
M	Loadfloor to roof	53.7
N	Load length	74.0
O	Load length (from back of front seat)	72.0
P	Loading height (laden/unladen)	19.5/23.7
Q	Front track	59.3
R	Rear track	61.1
S	Ground clearance	6.5

**Additional Information**

Front head room	51.3
Front shoulder room	54.4
Front hip room	50.6
Front leg room	39.7
Cargo volume (cu. ft.)	130.7



The industry norm for durability testing is 100,000 miles. Transit Connect actually meets Medium Commercial Vehicle requirements – it's been tested to 150,000 miles.

**Check out the latest news on the Ford Transit Connect:**  
[fordvehicles.com/transitconnect](http://fordvehicles.com/transitconnect)

\*With 2nd-row seat removed.  
GVWR=4,950 lbs.  
Note: Load rating represents maximum allowable weights of people, cargo and body equipment and is reduced by the weight of the optional equipment.  
Photography and specifications preliminary and subject to change at introduction.



# WITH A REPUTATION IN EUROPE THAT PRECEDES ITSELF, THE IMPACT ON BUSINESS IN AMERICA WILL BE UNPRECEDENTED



## Best Security Light Van 2007 (5 years running) Best Light Van 2007 (6 years running) Van of the Year 2002

"...Transit Connect ought to last forever. It's already greatly favored by construction companies and other operators who need a van that will stand up to some punishment."

– *What Van?* The Magazine (largest dedicated van publication in the UK)

## International Van of the Year 2003

"What was more than obvious to us, as commercial vehicles expert editors, is that during the design and development stages, Ford carefully listened to the wants and demands of customers, both large and small... This has resulted in a long list of clever and practical solutions in the areas of handling, accessibility, security and safety."

– *International Van of the Year Jury*

## Fleet Light Van of the Year 2007 (5 years running)

"These annual awards recognize class-leading performance where it matters – in daily operations..."

– ACFO (formerly the Association of Car Fleet Operators)

## Most Reliable Van 2007

"The votes have been counted in Britain's biggest vehicle reliability survey, which involved 906,000 vehicles."

– *Fleet News*

