

MAACK
MAACK
MAACK
MAACK®

Construction



Table of Contents

Granite® Overview	06
Granite Mixer	12
Granite Dump	13
Command Steer	14
Pinnacle™	16
Comfort	18
Cab Interiors	20
TerraPro®	22
Powertrain	24
Customer Support	32
Financial & Maintenance Services	34

The work never stops.
Neither do we.



We build the trucks that build the world.

Constructed with purpose. Prepared for anything. Mack trucks are designed to match the demands of your most severe sites. Because in this industry, being the best means building your reputation on the strongest foundation.

Severe Duty

From start to finish, these trucks are prepared to deliver no-compromise performance for the heaviest of your heavy hauls.

Service/Utility

Combine power and the right-sized components, and you have the strength to handle heavy-duty jobs.

Concrete Pump

Pump up the power. These trucks come equipped with both the power and precision to successfully complete any concrete job.

Dump

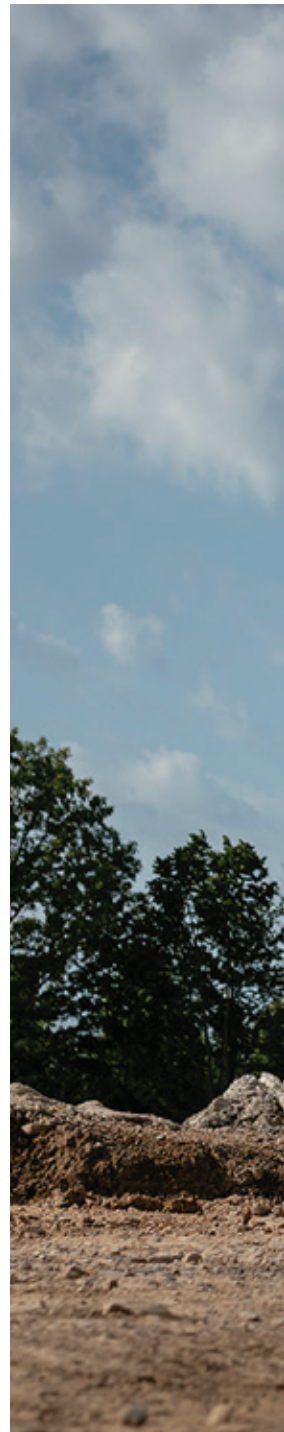
Welcome complete control. Our highly-customizable dump trucks put you in the driver's seat to tackle each day on your terms.

Mixer

Push productivity forward. These lightweight trucks move more without sacrificing durability.

Tractor

Any site, any time. Mack tractors are ready to tackle mean streets or no streets.





Unyielding strength. Unstoppable performance.

These are the leaders of the construction world. The team of trucks that have defined the industry for generations—and continue to push it forward. Engineered with renowned Mack reliability, we deliver the durable, modern-day machines that allow you to deliver your best on the jobsite.



GRANITE



TERRAPRO



PINNACLE

Granite[®]

Granite is the unyielding foundation on any jobsite. One of the most popular and proven trucks on the road, Granite has the strength to get the job done right and the comfort to keep drivers powering through.

Built for Your Application

No matter what field of construction your team tackles, Granite delivers across the board. This truck can be configured to exceed expectations on every drive.

Integrated Powertrain

Built to boost uptime and productivity, our proven integrated powertrain is the gold standard of powerful performance.

Axle Configurations

Available in axle forward and axle back models with single, tandem and tri-drive configurations, Granite can be customized with multiple steering, drive and auxiliary axle combinations.

Bendix[®] Wingman[®] Fusion[™] 2.0

This advanced driver safety system integrates radar, camera and brake system data to help avoid any hazards.

Unstoppable Comfort

Granite's purpose-built interiors are packed with intuitive, innovative features to boost and keep drivers comfortable all day long.

The PreView Multi-Sensor Collision (PRECO)

Sensata Technologies' safety system uses four radar sensors to detect and alert drivers to objects and vehicles in blind spots.





Granite Mixer

Granite mixers haul more concrete and keep your business moving forward.

Weight Savings

Weight-saving design and productivity-boosting components make for greater payload.

Safety

Our Roll Stability Advantage and exceptional brakes enhance control over any terrain. Plus, we offer outstanding visibility to make sure your Mack meets no surprises on site.

Simple Installation

The body-ready electrical system cuts down on installation time and reduces costs.



Granite Dump

Granite dump trucks shrug off the abuse of the jobsite so you can focus on your job.

Weight Savings

Lightweight components and options such as lift axles help maximize hauling capacity and productivity.

Custom Frame Rails

Mack offers customizable frame rails to fit your construction needs no matter where the job takes you.

“D”-shaped fuel tank

Options like the “D”-shaped fuel tank save you critical weight and space.



Command Steer

By reducing driver effort up to 85%, Command Steer can cut muscular strain by up to 30% to reduce the risk of long-term injury.

Steering Wheel Return-To-Zero

During parking, reversing and other low-speed maneuvers, the steering wheel automatically returns to zero, saving drivers from wear-related injuries.

Improved Directional Stability

Drivers no longer need to compensate for drifting caused by gusts of wind or banked roads while driving at highway speeds. The result is a steadier and more comfortable ride.

Feather-Light Steering At Low Speeds

By adding force to the power steering mechanism, trucks adapt to each situation. At low speed, steering is nearly effortless.

Smooths Rough Roads

Command Steer automatically detects and compensates for rough roadways and job sites to help drivers keep a straight course and eliminate the need for constant driver correction.

Split Friction Stability

When steering and/or braking on surfaces with different friction, Command Steer improves stability and keeps the steering wheel straight and steady to reduce unwanted steering changes.

Reduces Deviations

Command Steer monitors road variations at nearly 2,000 times per second to help maintain directional stability on rough roads and in high winds for a more comfortable ride on every road.





See how Command Steer works.

An electric motor connected to the hydro-mechanical steering gear provides additional torque. Controlled through an ECU, the motor receives signals from vehicle sensors while dampening steering impacts from the ground, helping drivers maintain maximum control.





Pinnacle™

Pinnacle is designed with the comfort drivers need and the durability the road demands. Whether the haul is off-road or cross-country, Pinnacle is purpose-built to keep drivers comfortable and driving strong.

Highly Customizable

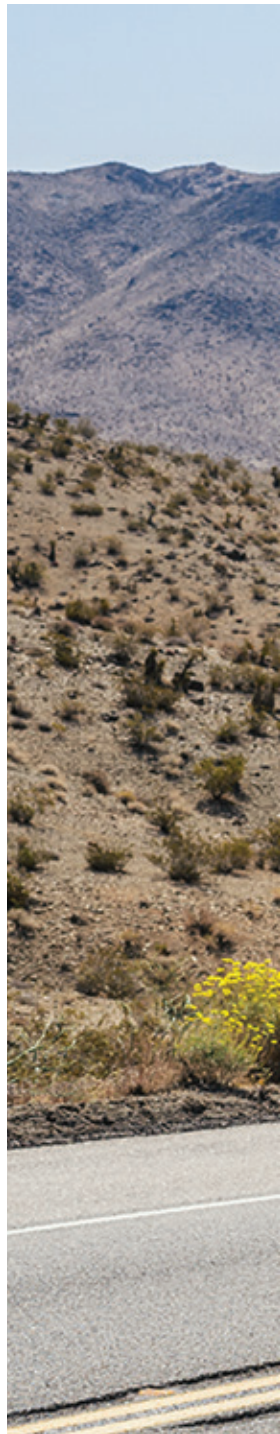
No matter your haul, Mack makes it easy to optimize your Pinnacle for the job.

Impressive Ground Clearance

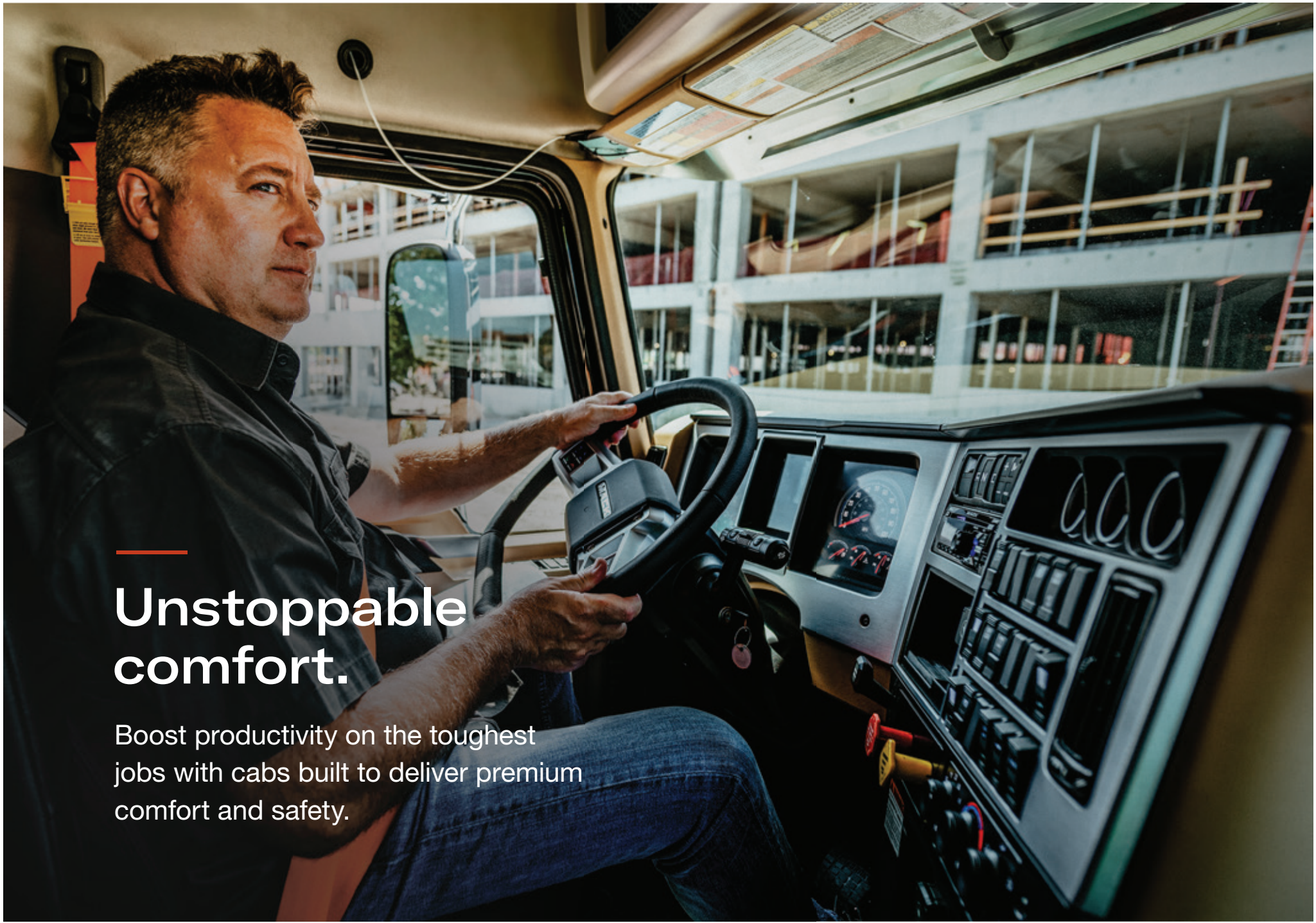
The axle-forward position provides better clearance for when the Pinnacle needs to go off-highway and over bumpy terrain.

Cab Configurations

In Day Cab or Sleeper, the Pinnacle has the comfort and strength to keep drivers going strong until the job is done.







Unstoppable comfort.

Boost productivity on the toughest jobs with cabs built to deliver premium comfort and safety.

A foundation for productivity.



Premium Air Seat

Mack-exclusive Sears® Seating features high-density foam cushioning and 4-chamber lumbar support for all-day comfort.



RollTek® Seating

Airbag-equipped RollTek seats provide the ultimate protection to significantly increase driver safety.

Work hard. Drive easy.

Auto-Inspired Controls

Integrated controls connect steering buttons with infotainment, mobile phones and digital displays.

Instrument Panel

Easy-to-read gauges bring important information to the forefront.

Flat-Bottom Steering Wheel

An industry first, the flat-bottom steering wheel allows more clearance for entry or exit.

Mack Co-Pilot™

5" full-color digital display provides enhanced visibility and simpler navigation without distractions.

Rocker Switches

New larger, robust rocker switches are laser-etched to be readable for life.



Dash and Interior Trim Packages



Standard

- Gunmetal dash
- Charcoal door trim
- Interior trim also available in Sierra Tan (Day Cab only)
- Steel Gray interior trim



Premium

- Aluminum dash and door trim
- Steel Gray interior trim
- Interior trim also available in Sierra Tan (Day Cab only)

Steering Wheel Packages



Standard

- Urethane foam rim Gunmetal spokes
- All controls located on the D-panel



Premium

- Leather-wrapped rim and horn pad
- Satin Aluminum spokes

TerraPro®

Meet the truck designed for best-in-industry packaging for concrete boom pumps. It has up to 505 HP with great ergonomics and visibility.

Durable Chassis

Built to adapt to customer needs, TerraPro's chassis is optimized to tackle big-time construction jobs.

Exceptional Visibility

The large windshield, low-profile dash, side and rear mirrors and ergonomic seat position provide drivers with superior visibility.

Axle Configurations

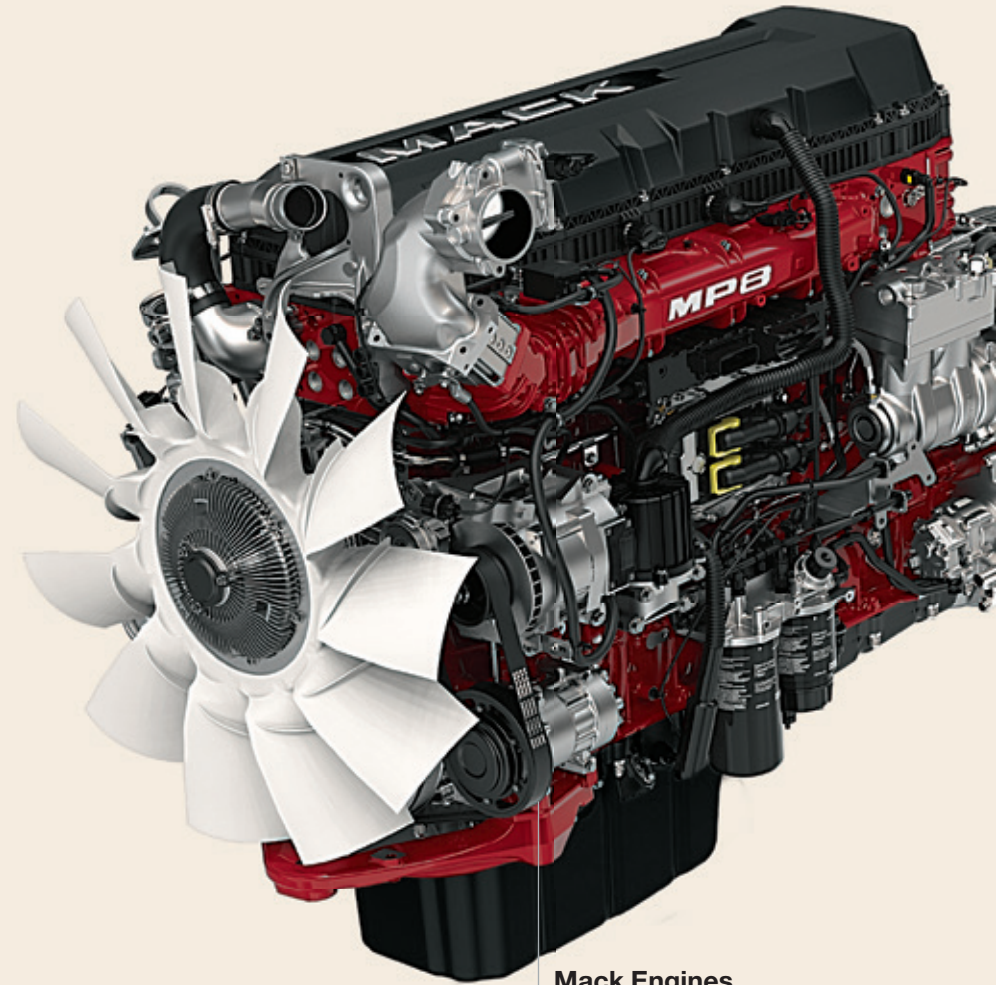
Available in single, tandem and tri-drive configurations, TerraPro can be customized with multiple steering, drive and auxiliary axle combinations.





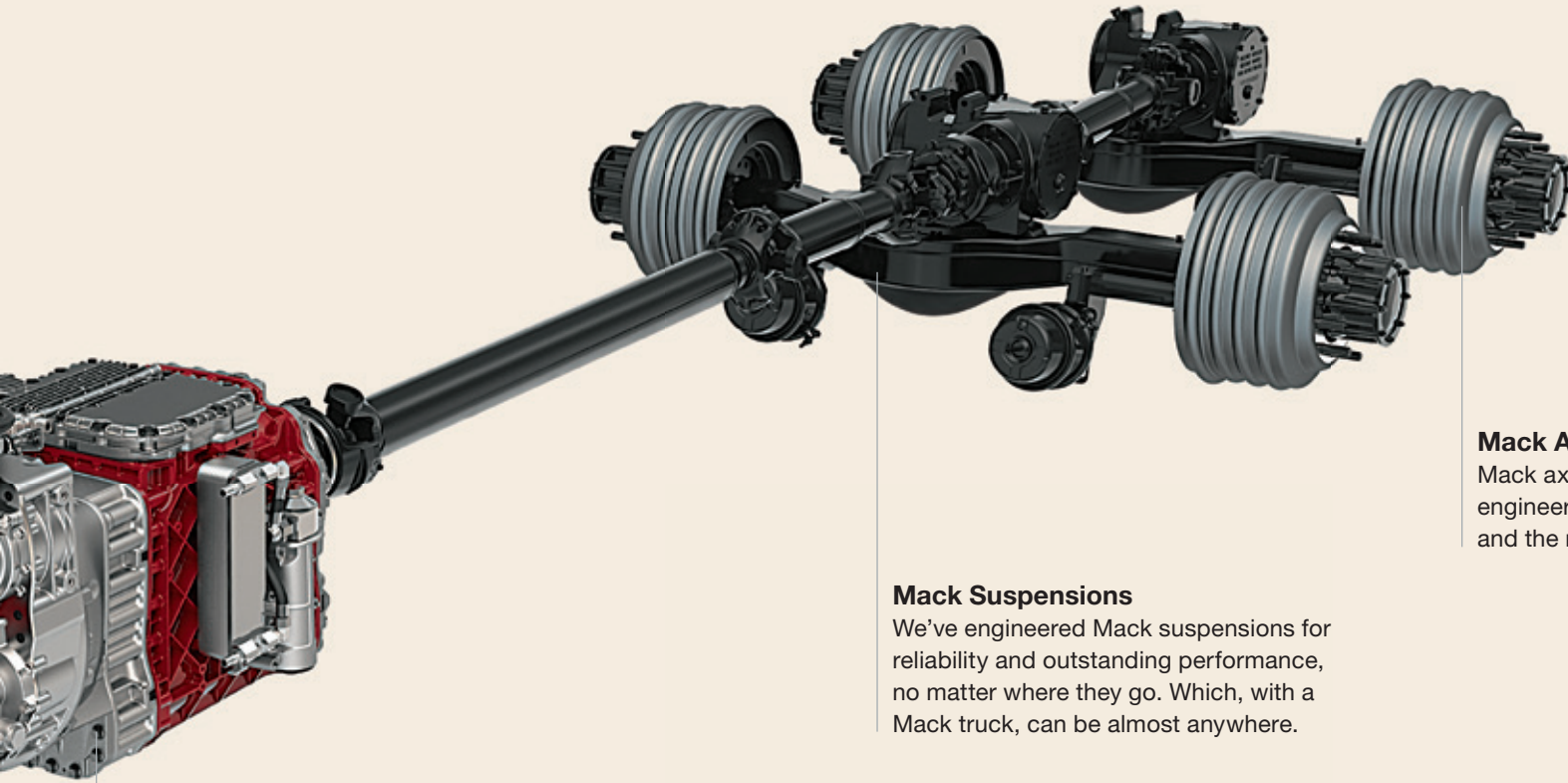
We invented the integrated powertrain.

Over 120 years ago, Mack's innovative approach to powertrain integration revolutionized trucking. Today, our proven powertrain still sets the gold standard for performance.



Mack Engines

With horsepower, torque and great fuel economy, MP engines power through the job.



Mack Transmissions

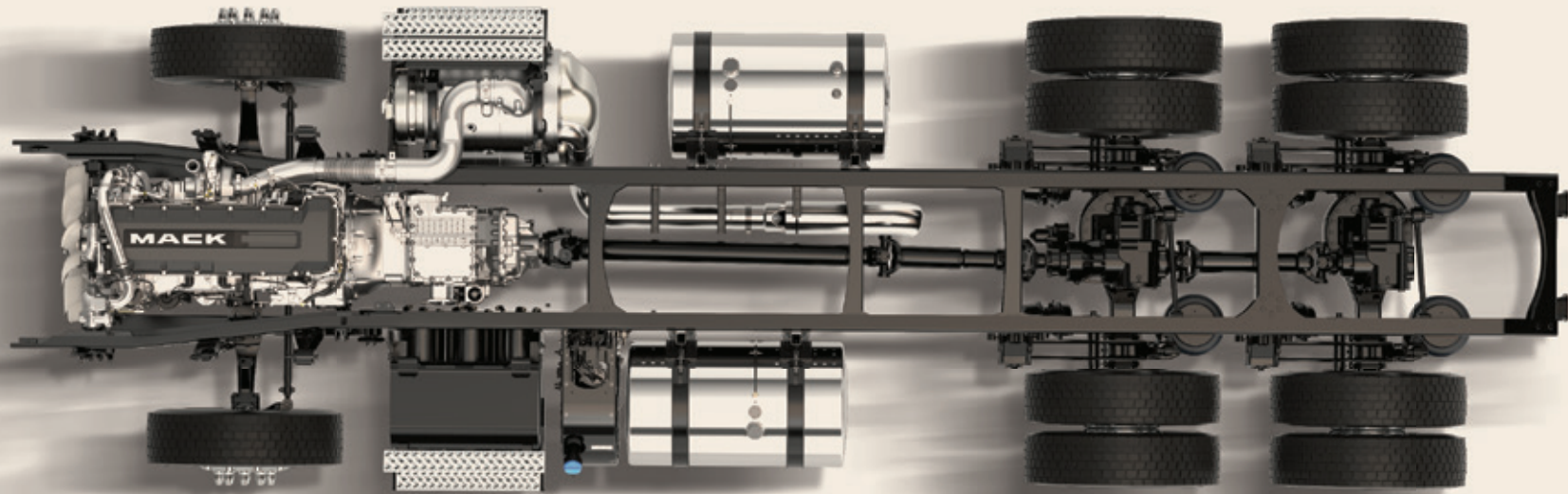
Mack's *mDRIVE* and *mDRIVE HD* transmissions are designed and built to perform at the highest level in the most demanding conditions.

Mack Suspensions

We've engineered Mack suspensions for reliability and outstanding performance, no matter where they go. Which, with a Mack truck, can be almost anywhere.

Mack Axles

Mack axles and carriers are engineered to handle heavy hauls and the rigors of the jobsite.



Cornerstone™ Chassis

Our proven Cornerstone chassis provides rock-solid performance, durability and reliability. The constant frame rail height and high-strength steel alloy design creates a stronger, lighter

frame while keeping it higher off the ground for maximum clearance. Each chassis is built with application-specific crossmembers and offered in various thicknesses.

Mack Transmissions

Mack's *mDRIVE™* and *mDRIVE™* HD transmissions are designed and built to perform at the highest level in the most demanding conditions.

Lightweight Performance

Our transmissions are hundreds of pounds lighter than competitors, so you can ditch the dead weight and increase your payload.

Works Hard. Drives Easy.

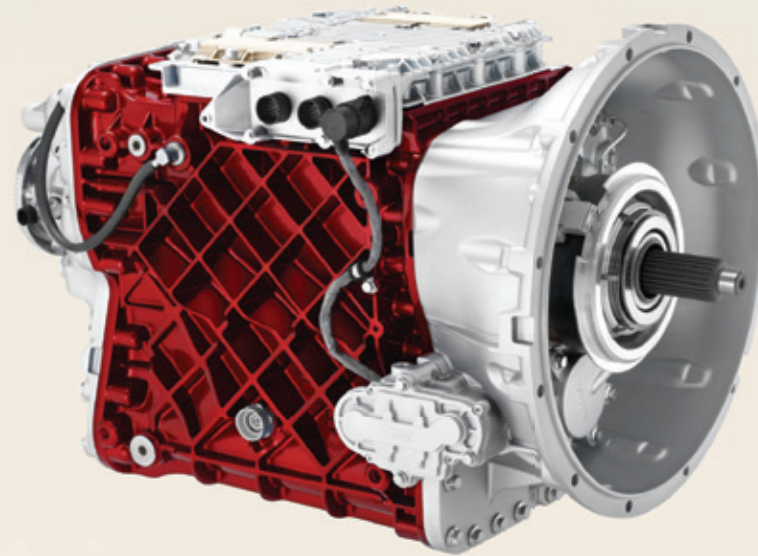
mDRIVE transmissions use intelligent software and engine integration to automatically select the best gear and shift with speed and precision for an easier ride, meaning less work for drivers.

Increased Productivity

The *mDRIVE* HD is automated, so it's easier to work with than traditional manual transmissions. Because drivers don't have to worry about shifting gears, they're more rested and ready to finish the job with increased focus and productivity.

Factory-Installed Dual PTO

Available factory-installed dual PTO helps drivers boost power and productivity without sacrificing performance.



mDRIVE

As an essential part of Mack's legendary integrated powertrain, *mDRIVE* transmissions work seamlessly with Mack engines and axles for improved performance, efficiency and uptime at a lower cost.

***mDRIVE* HD**

With an extended range of gears, including 13- and 14-speed creeper gears, Mack's *mDRIVE* HD delivers the same seamless integration and makes navigation at slow speeds easier for everybody.

MP® Engine Series

Mack's engine enhancements reduce weight and increase efficiency so you can haul more, and use less fuel to do it.

Common Rail Fuel System

Delivers pre- and post-combustion injections for more power and efficiency.

Less Maintenance

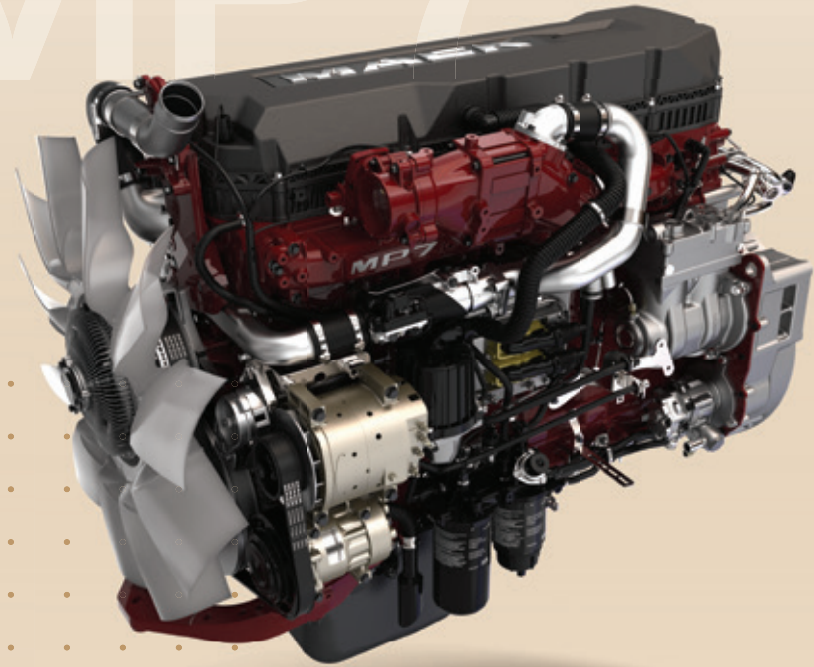
Two-piece valve cover, shimless rockers and simplified low-pressure fuel system improve reliability, serviceability and efficiency over the life of your engine.

Wave Piston

Creates more complete combustion to increase fuel economy and reduce soot.



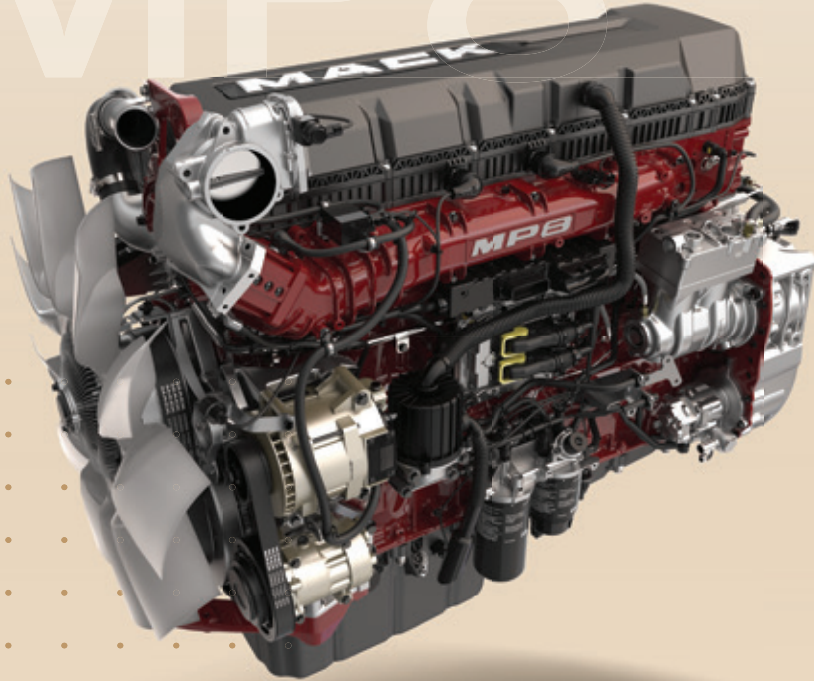
MP7



MP®7

Available on all Mack construction models, this lightweight engine has evolved to run even cleaner. It emits less CO₂ than ever before while maintaining a HP range from 325 to 425 HP and torque ratings from 1,260–1,550 lb.-ft.

MP8



MP⁸

Offered on all Mack construction models, the latest evolution of this 13-liter engine is designed to meet even stricter emissions standards and deliver optimal HP range from 415 to 505 HP, with torque from 1,660–1,850 lb.-ft.

L9

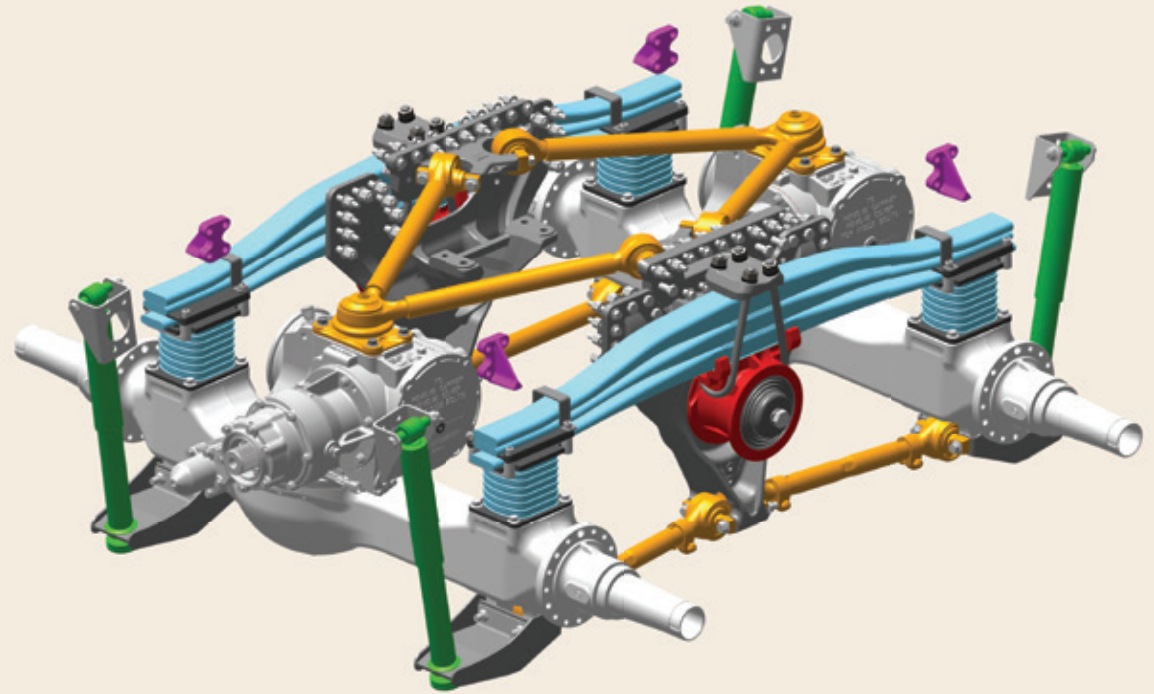


Cummins[®] L9N

Mack partners with Cummins to offer the lightweight 9-liter engine with high power density, 320 HP and 1,000 lb.-ft. of torque.

Mack Suspensions

We've engineered Mack suspensions for reliability and outstanding performance, no matter where they go. Which, with a Mack truck, can be almost anywhere.



***mRIDE*™ Suspension**

Lighter than the competition, the *mRIDE* spring suspension offers extreme articulation and constant ground contact for all wheels to maximize traction and improve stability.

Camelback Suspension

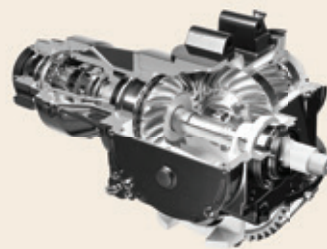
The Camelback suspension is built with increased stability to handle the stress of off-road and severe-duty trucking. This tried-and-true suspension allows for better steering and reduced tire wear. Camelback is available from 38,000-lb. to 65,000-lb. ratings.

Mack Axles

Proprietary Mack axles provide greater articulation on the most demanding construction sites. Our top-mounted carriers deliver more efficient power to the wheels with less parasitic loss than with front-mounted carriers.

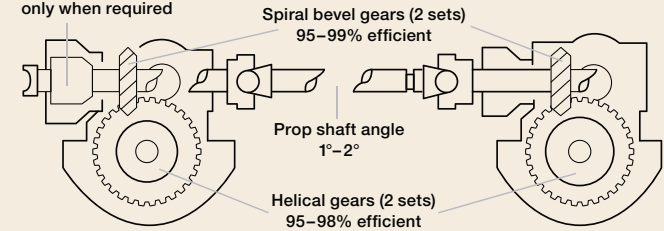
Top-Mounted Carriers

Cast ductile iron axle housings and top-mounted carriers stand up to high gross vehicle weight and provide an additional 2" of ground clearance over conventional rear axles. Near-straight driveline angles provide more efficient and reliable performance.



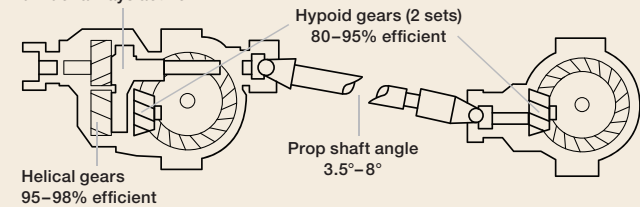
Mack Driveline

Mack power divider active only when required



Industry Standard Driveline

Industry standard power divider always active



Power Divider

For improved traction, Mack rear axles feature an automatic inter-axle power divider that diverts up to 75% power to wheels with traction. An optional inter-wheel divider can be used in addition to preserve traction. A power divider lockout disables diverters as needed so all wheels turn equally for traction in severe conditions.

Harness the power of Integrated Uptime.

Stay on task and on time with Mack's award-winning combination of vehicle telematics, live support personnel, fleet management services and an expansive network of Certified Uptime Dealers and nearly 400 authorized dealers.



Uptime Solutions



Mack OneCall®

Around-the-clock roadside assistance and customer support from a team of highly-trained uptime experts. Call 800-866-1177



GuardDog® Connect

Mack's telematics platform automatically monitors your truck for potential issues and starts the support, repair and scheduling process—all while you're still on the job.



Over The Air (OTA) Software Updates

Wirelessly updates software without disrupting your schedules, while increasing operational efficiency and uptime. Requires GuardDogConnect.



Certified Uptime Dealers

Dealers identify quick fixes and put them in the fast lane for completion, while giving larger repairs the attention they need—so you get back on the road faster.

Jobsite Support



Concrete Mixer Hotline

Exclusively for concrete mixer customers, get 24/7 direct access to specialized support.

Concrete Mixer Support
866-348-6586

Concrete Pump Support
877-893-3007

Body builder support for any application.

We offer body builders direct access to the answers they need to engineer dependable trucks from the ground up. Mack's body builder support group is designed to take integration to the next level and increase collaboration between body builders, dealers and customers.



Your truck on your terms.

Take control with Mack's complete business services.

From financing to premium maintenance packages, Mack has what you need to get, and keep, your truck on the road.





Mack Financial Services

Mack offers comprehensive financial services that include customized loans, leases and payment plans. You choose the terms, then Mack comes up with the payment plan and coverage that works for you, so you can build your business.

Mack Leasing System

Mack offers full-service leasing and rental services backed by our growing association of MLS dealer members. Whether you're looking to lease your fleet, rent a truck or outsource your maintenance, Mack has a variety of solutions to meet your needs.

Warranty and Protection Plans

Mack offers the most flexible warranty program in the industry. Whether you need a standard warranty or a premium protection plan, Mack can customize a plan to meet your specific business requirements.

Premium Maintenance Plans

Mack takes the worry and hassle out of maintenance with premium plans that provide nationwide maintenance coverage at any authorized Mack dealer location. Select a plan and pay upfront so that your truck's interval maintenance is covered—no payment or paperwork required.

MACK®

©2023 Mack Trucks, Inc. All rights reserved. Mack, Mack and the Bulldog design, Bulldog and all other marks contained herein are registered trademarks of Mack Trucks, Inc. and/or Mack Trucks, Inc. affiliated companies. All other marks contained herein are the property of their respective owners.