

**MACK**®

# The future of medium-duty, powered by Mack.

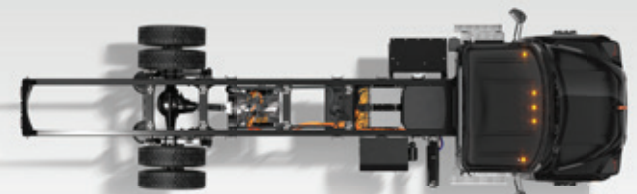
Lower total cost of ownership.

Over three years, MD Electric can have a lower total cost of ownership\* than diesel.



## **MACK MD Electric**

Meet the Mack MD Electric. Available in Class 6 and 7 configurations, it's an all-electric medium-duty truck with all the capabilities and durability you expect from a Mack. With a focus on driver comfort and productivity, step-by-step integration and the desire to lower the total cost of ownership over three years, MD Electric combines everything you need to bring eMobility to your fleet.



**MD ELECTRIC**

## Key Features

**NEW** Flat-bottom steering wheel with cruise control, telephone, and radio/audio controls (standard)

**NEW** Premium driver's seat with increased seat recline, two-tone driver seat, and lumbar chamber adjustment (standard)

**NEW** Adjustable driver and passenger seat belts

**NEW** Improved interior lighting replaces 2 halogen bulbs with 4 LED dome lights

**NEW** Overhead console, additional storage

**NEW** 4 inches of additional leg room

MD Electric standard Class 6 GVWR (25,995) with option for Class 7 GVWR (33,000)

MD Electric BEV (battery electric vehicle) with 150 or 240 kWh capacity

8mm frame rails rated at 120,000 PSI for higher frame strength

34-inch assembled frame width for easy body installation

Flat back-of-cab and clear frame platform for easy body installation

Mack cab, standard with air ride suspension

Driver air suspension seat, two-person bench seat, both fitted with Modura cloth upholstery

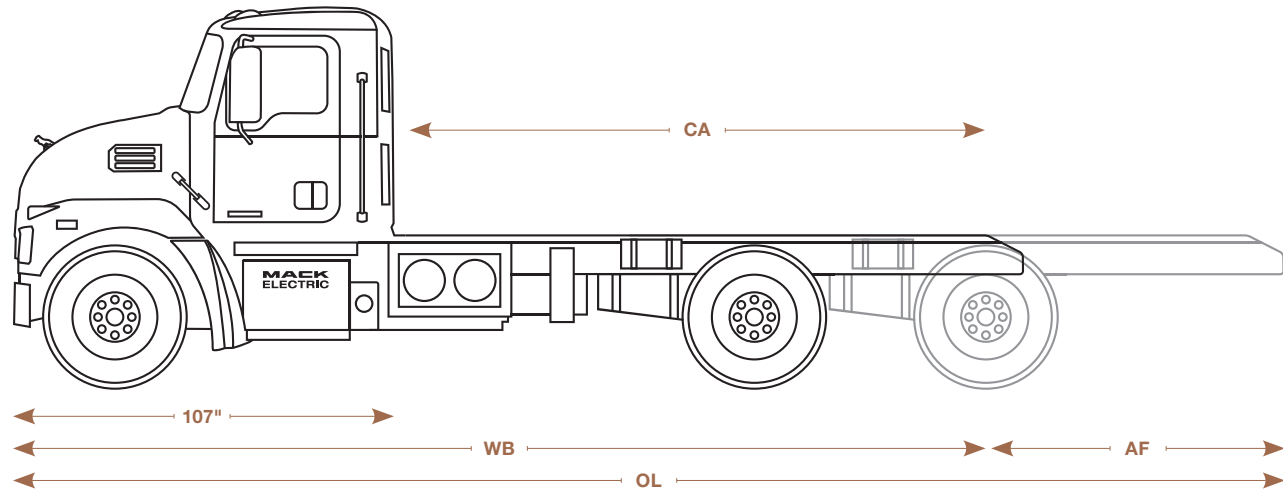


### Comfortable Interiors

The Mack MD Electric brings heavy-duty levels of driver comfort and functionality to medium-duty trucks, to keep drivers comfortable and safe all day. Tilt/telescoping steering column, air suspension driver seat and all controls are within easy reach keep drivers in control.

### All Day Uptime

MD Electric's customers have access to Mack's industry-leading Uptime Services. Mack's ASIST platform streamlines and shares service communications among the customer, dealer and Mack's 24/7 Uptime Center.



Typical Dry Van Body Length	(ft.)	18	20	22	24	26/28
Wheelbase*	WB (in.)	205**	217**	235	255	274
Cab to Rear Axle	CA (in.)	143	158	173	188	207
After Frame	AF (in.)	65	70	80	90	100
Overall Length Chassis	OL (in.)	310	330	355	380	409
GVWR**	(lb.)	25,995	25,995	25,995	25,995	25,995
Front Axle Capacity (std.)	(lb.)	17,000	17,000	17,000	17,000	17,000
Rear Axle Capacity (std.)	(lb.)	19,000	19,000	19,000	19,000	19,000

\*Wheelbase selection should be based on specific weight distribution.

\*\*Based on pre-production model. Actual vehicle weights may vary.

<b>3 Phase Permanent Magnet Synchronous Motor</b>	185 hp (138 kW)/960 lb.-ft. (1300 Nm) Continuous 260 hp (195 kW)/1850 lb.-ft. (2500 Nm) Peak	
<b>Battery Capacity</b>	150 kWh 240 kWh	
<b>Power</b>	12 volt – Cab systems including instruments, gauges, HVAC 24 volt – Motor/transmission controls systems 394 V Traction Voltage	
<b>Invertors</b>	394 volts to 24 volts 394 volts to 12 volts	
<b>Regenerative Braking</b>	3-level selectable	
<b>Brake System</b>	Bendix® Antilock Braking System “S” Cam air brake system	
<b>Front Brakes</b>	Meritor® S CAM Q+, 16.5 x 5 in.	
<b>Rear Brakes</b>	Meritor® S Cam Q+, 16.5 x 7 in.	
<b>Parking Brake</b>	Rear axle, spring brake	
<b>Air Dryer</b>	Wabco SS1200HP	
<b>WHEELS</b>	Accuride® steel disc, powder coated white wheels 8.25 x 22.5 in., offset 6.6 in.; 5-hole	
	Accuride® aluminum wheels 8.25 x 22.5 in., offset 6.59 in.; 10-hole	
<b>TIRES</b>	<b>Front</b>	<b>Rear</b>
	Bridgestone® R268 Ecopia radials, 11R22.5 (H) Bridgestone® R255 ED radials, 255/70R 22.5 (H)*	Bridgestone® R268 Ecopia radials, 11R22.5 (H) Bridgestone® M760 Ecopia radials, 11R22.5 (G)* Bridgestone® M726 radials, 255/70R 22.5 (H)*

<b>CAB</b>	Galvanized steel cab with premium trim level
<b>Air Conditioning</b>	Standard
<b>Audio</b>	AM/FM with Bluetooth
<b>Body Builder Prep</b>	Harness and 12 pin RP140a connectors for body lighting connection, 16 pin connector in dash, 29 pin connector at bulkhead
<b>Cab Lighting</b>	Interior courtesy lights (2)
<b>Cab Mirrors</b>	Black finish with integral convex mirror
<b>Cab Suspension</b>	Dual airbag cab suspension
<b>Cruise Control</b>	Standard
<b>Cup Holders</b>	Two large cup holders in console
<b>Passenger Door Window</b>	Lower door peep window with lens
<b>Power Outlets</b>	12 volt & USB
<b>Power Steering</b>	Standard
<b>Power Windows and Locks</b>	Standard
<b>Pro Dash</b>	Premium dash cluster
<b>MD Electric LED Display</b>	7" display for motor/transmission/battery functionality and status
<b>Seat Driver</b>	High back, air suspension with increased seat recline, two-tone trim, and adjustable lumbar chamber
<b>Seat Passenger</b>	High back, fixed base with vinyl trim, bench seat option
<b>Steering Column</b>	Tilt and Telescopic
<b>Steering Wheel</b>	Flat-bottom steering wheel, buttons/controls
<b>Sun Visors</b>	Driver and Passenger

FRONT AXLE		Class 6	Class 7	RA Ratio		
	GAWR (lbs.)	10,000	12,000	5.57		
	Axle Type	I-Beam	I-Beam	<b>CHASSIS FRAME</b> Dimensions (in.) 10.24 x 2.75 x 0.315 (mm) 260 x 70 x 8 Yield Strength 120k PSI* RBM 1.530m Assembled Width 34 in. (864 mm)		
	Axle Model	MFS-10	MFS-12			
	Suspension	Mack Taper-leaf	Mack Taper-leaf			
	Capacity (lbs)	10,000	12,000			
	Shock Absorbers	Telescopic type	Telescopic type			
REAR AXLE	STANDARD	OPTION	OPTION	OPTION	OPTION	OPTION
GAWR (lb.)	17,000	17,000	19,000	19,000	21,000	21,000
Axle Type – Meritor®	MS-17-13x	MS-17-14x**	MS-19-13x	MS-19-14x**	MS-21-13x	MS-21-14x**
Brake Size (in.)	16.5 x 7	16.5 x 7	16.5 x 7	16.5 x 7	16.5 x 7	16.5 x 7
Suspension – Taper-leaf (lb.)	17,000	19,000	21,000			
Suspension Option (lb.) <sup>†</sup>	Maxlite AL190 19,000**				Maxlite AL210 21,000**	

\*14x and driver controlled differential lock, Rear axle option equipped with driver controlled differential lock.

\*\*14x and driver controlled differential lock, Rear axle option equipped with driver controlled differential lock.

<sup>†</sup>With optional air suspension

Shaded areas indicate optional specifications.

# MACK®

All illustrations, specifications and descriptions in this specification are based on the latest product information available at the time of this publication. The right is reserved to make changes in price, materials, equipment, design, specifications, diagrams and models, and to discontinue models of equipment at any time, without notice and without incurring any obligation whatsoever. For more information on additional options and accessories, contact Mack Trucks, Inc. ([www.macktrucks.com](http://www.macktrucks.com)).

©2024 Mack Trucks, Inc. All rights reserved. Mack, Mack and the Bulldog design, Bulldog and all other marks contained herein are registered trademarks of Mack Trucks, Inc. and/or Mack Trucks, Inc. affiliated companies. All other marks contained herein are the property of their respective owners.

SS-OX-MDE-0824

<sup>1</sup>Based on comparably equipped Class 6 MD and MD Electric models over a 36 month period financed with Mack Financial Lease (diesel model) and Mack Electrifi Subscription (MD Electric model) with 30,000 mile/year mileage allocation. MD Electric calculations include Commercial Clean Vehicle Credit. Energy estimates based on national average of diesel and kWh as of 7/31/23 provided by US Energy Information Administration. Your actual cost of owning a particular vehicle will vary depending on many factors, including actual topography, driver conditions and experience, fuel costs and quality, varying load weights, just to name a few, all of which can greatly affect the actual performance and cost of operating any vehicle.

The Mack Electrifi Subscription program is a usage-based lease for qualified customers offered by Mack Financial Services (MFS), a division of VFS US, LLC. Finance and lease offers and solutions are subject to credit review and underwriting, and approvals will state transaction terms and conditions. All leased trucks are delivered through authorized Mack dealers, and Ultra Service Contract is offered by Mack Trucks. This transaction is not a "Vehicle Subscription" as defined by applicable law. MFS reserves the right to amend or cancel this offering at any time without notice. Offer available in the U.S. only. Eligible on new Mack MD Electric models only.