

MACK®

Built for
growth.



MACK MD6

Dependability, durability and steadfast support — everything you've come to expect from Mack is now available in a medium-duty truck: the Mack MD Series. The MD Series is packed from the exterior to the driver environment with features that ensure a smooth, stress-free ride, backed by our unmatched local dealer support when you need it. We've taken care of the details so you can focus on growing your business.

Max GVWR

25,995

LBS.

Power

300

MAX HP

Peak Torque

660

LBS.-FT. MAX

MD SERIES

Key Features

NEW Flat-bottom steering wheel with cruise control, telephone, and radio/audio controls (standard)

NEW Premium driver's seat with increased seat recline, two-tone driver seat, and lumbar chamber adjustment (standard)

NEW Adjustable driver and passenger seat belts

NEW Improved interior lighting replaces 2 halogen bulbs with 4 LED dome lights

NEW Overhead console, additional storage

NEW ABS with Automatic Traction Control

NEW Clear back-of-cab* and frame and side frame space with pre-wired Body Builder connections to Cummins & Allison (standard)

NEW 4 inches of additional leg room

Frame rails with 110,000 PSI yield strength (standard)

Cab air suspension (standard)

Full-width aluminum grated steps for easy entry and egress, horizontally offset for visibility (standard)

Rear leaf spring suspension (standard), Mack Maxlite AirRide (optional)

50-gallon fuel tank (standard), 90-gallon (optional)

Passenger door lower peep window

Steel, white powder coated disc wheels (standard), aluminum wheels (optional)

*Not available with 90-gallon fuel tank option



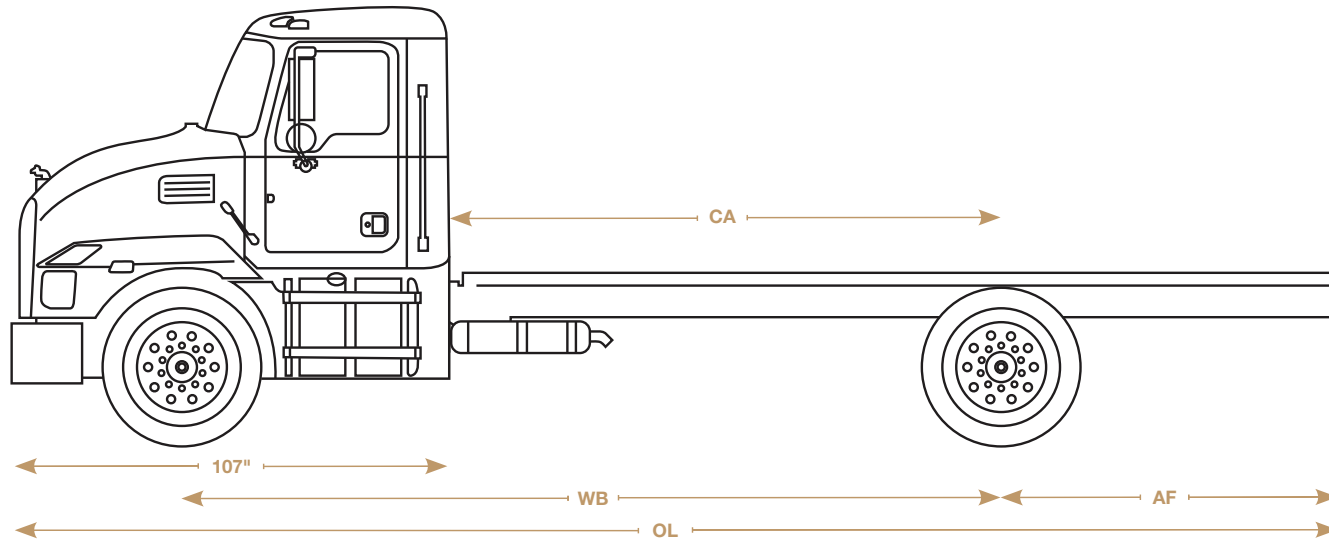
Comfortable Interiors

The Mack MD Series brings heavy-duty levels of driver comfort and functionality to medium-duty trucks, to keep drivers comfortable and safe all day. Tilt/telescoping steering column, air-suspension driver's seat and controls within easy reach place comfort where it counts.



All Day Uptime

MD Series customers have access to Mack's industry-leading uptime services. Mack's ASIST platform streamlines and shares service communications between the customer, dealer and Mack's 24/7 Uptime Center. The available Geotab® feature provides basic telematics and is upgradeable for enhanced fleet management.



Typical Dry Van Body Length	(ft.)	10	12/14	16	18	20	22	24	26/28*
Wheelbase*	WB (in.)	151	175	187	205	217	235	255	274
Cab to Rear Axle	CA (in.)	84	108	120	138	150	168	188	207
After Frame	AF (in.)	50	60	70	75	85	90	95	100
Overall Length Chassis	OL (in.)	240	261	286	311	331	256	381	410
GVWR**	(lb.)	25,995	25,995	25,995	25,995	25,995	25,995	25,995	25,995
Front Axle Capacity (std.)	(lb.)	10,000	10,000	10,000	10,000	10,000	10,000	10,000	10,000
Rear Axle Capacity (std.)	(lb.)	17,000	17,000	17,000	17,000	17,000	17,000	17,000	17,000
Front Axle Weight**	(lb.)	6,080	6,080	6,225	6,225	6,320	6,400	6,390	6,420
Rear Axle Weight**	(lb.)	3,455	3,455	3,410	3,410	3,435	3,515	3,450	3,500
Total Chassis Weight***	(lb.)	9,535	9,535	9,665	9,665	9,750	9,915	9,840	9,920

*Wheelbase selection should be based on specific weight distribution.

**Base model GVWR, ratings and chassis weights.

***Total Chassis Weight estimate is for standard specifications excluding driver and fuel.

ENGINE	Cummins® B6.7 Inline 6-cylinder, Turbo/Intercooled Diesel	
HP/Torque	220 hp/600 lb. ft. EPA (std)/CARB (opt) 240 hp/560 lb. ft. EPA (std)/CARB (opt) 250 hp/600 lb. ft. EPA (std)/CARB (opt) 260 hp/660 lb. ft. EPA (std)/CARB (opt) 280 hp/660 lb. ft. EPA (std)/CARB (opt) 300 hp/660 lb. ft. EPA (std)/CARB (opt)	
Air Cleaner Type	12 in.	
Alternator	Delco-Remy® 12V, 160 amp	
Batteries	Dual 760 CCA (1520 total CCA)	
Engine Brake	Cummins®, with dash switch	
Fuel Filter	Filter and water separator	
	Heated, fuel and water separator	
Starter	Melco 12V	
TRANSMISSION	STANDARD	OPTION
	Allison – 2500HS	Allison – 2500RDS
	6-speed, double OD rated to 660 lb.-ft. torque, with Fuel Sense + NAS	
CHASSIS FRAME	Assembled Width	34 in. (864 mm)
	Dimensions (web/flange)	10.24 x 2.75 in. (260 x 70 mm)
	Thickness	0.276 in. (7 mm)
	Yield Strength	110k PSI
	RBM	1.37m lb.-in.
FRONT AXLE	Axle Type (Meritor®)	MFS-10
	GAWR (lbs.)	10,000
	Brake Size (in.)	16.5 x 5
	Suspension Taper-leaf	Mack Taper-leaf
	Capacity (lbs.)	10,000
	Shock Absorbers	Telescopic type

CAB	Steel cab with premium satin aluminum trim
Air Conditioning	Standard
Audio	AM/FM with Bluetooth
Body Builder Prep	Harness and 12 pin RP140a connectors for body lighting connection, 16 pin connector in dash, 29 pin connector at bulkhead
Cab Lighting	4 LED dome lights
Cab Mirrors	Black finish with integral convex mirror
Cab Suspension	Dual airbag cab suspension
Cruise Control	Standard
Cup Holders	Two large cup holders in console
Interior Storage	Overhead console with storage
Passenger Door Window	Lower door peep window with lens
Power Outlets	12 volt & USB
Power Steering	Standard
Power Windows and Locks	Standard
Pro Dash	Premium dash cluster
Seat Driver	High back, air suspension with increased seat recline, two-tone trim, and adjustable lumbar chamber
Seat Passenger	High back, fixed base with vinyl trim, bench seat option
Steering Column	Tilt and Telescopic
Steering Wheel	Flat-bottom steering wheel, buttons/controls
Sun Visors	Driver and passenger
Brake System	Bendix® Antilock Braking System Meritor S CAM Q + air brakes with Automatic Traction Control
Parking Brake	Rear axle, spring brake
Air Dryer	Wabco SS1200HP

FUEL TANK	Round 22 in., driver side, 50 gallons					
	Round 22 in., driver side, 90 gallons					
DEF TANK	25 liter, passenger side					
WHEELS	Accuride™ steel disc, powder coated white wheels 8.25 x 22.5 in., offset 6.6 in.; 5-hole					
	Accuride™ aluminum wheels 8.25 x 22.5 in., offset 6.59 in.; 10-hole					
TIRES	Front/Rear – Bridgestone® Ecopia radials, R268 11R22.5 (H)					
	Rear Traction Option – Bridgestone® Ecopia radials, M760 11R22.5 (G)					
Low Profile Option	Front/Rear – Bridgestone® ED Radials, R255/70R22.5 (H)					
	Rear Traction Option – Bridgestone® ED Radials, M726/70R22.5 (H)					
REAR AXLE	STANDARD	OPTION	OPTION	OPTION	OPTION	OPTION
GAWR (lb.)	17,000	17,000	19,000	19,000	21,000	21,000
Axle Type – Meritor	MS-17-13x	MS-17-14x*	MS-19-13x	MS-19-14x*	MS-21-13x	MS-21-14x*
Brake Size (in.)	16.5 x 7	16.5 x 7	16.5 x 7	16.5 x 7	16.5 x 7	16.5 x 7
Suspension – Taper-leaf (lb.)	17,000	17,000	19,000	19,000	21,000	21,000
Suspension Option (lb.)	Maxlite AL190 19,000				Maxlite AL210 21,000	
RA Ratio		5.57	4.88**	5.29	5.83	5.86

*14x and driver controlled differential lock, Rear axle option equipped with driver controlled differential lock.

**4.88 RA ration only available with Low Profile tire option

Shaded areas indicate optional specifications.



Warranty Summary

MD Series	
Typical Vocations	Distribution, Short Haul, Pick Up & Delivery
Axle Configuration	4 x 2
Basic Coverage	24 months/unlimited miles*
Batteries	12 months/unlimited miles*
Chassis Towing	90 days or 5,000 miles (8,047 KM), whichever occurs first*
Air Conditioning	24 months/unlimited miles – air conditioning (sealed system only)
Engine/Emissions	Warranty coverage provided by Cummins® – both EPA and CARB
Transmission	Warranty coverage provided by Allison Transmission®
Driveline, Rear/Front Steer Axle	24 month/unlimited miles*
Cab Structure and Internal Cab Corrosion	60 months/unlimited miles*
Frame Rails/Cross Members	60 months/unlimited miles*
Noise Emission	Life of the vehicle*

*See complete warranty certificate for details



Uptime Summary

MD Series	
Mack OneCall®	12 months
Mack ASIST	12 months
Geotab® Basic	12 months

Purchase Options

Mack OneCall®	24–60 months, in 12-month increments
Mack ASIST	24–60 months, in 12-month increments
Geotab® Basic	24–60 months, in 12-month increments
Geotab® Pro	12–60 months, in 12-month increments

Other Options

Allison Transmission® Upgrade	FuelSense® Premium with Dynactive and NAS
Battery Shut Off	Under cab, passenger side
Engine Block Heater	120V–750W (0.75KW)
PTO Prep	Harness and switch kit
Cab Mirrors	Black finish with integral convex, heated and motorized
	Chrome finish with integral convex, heated and motorized (Bull Dog Mirror)
Passenger Seat	Two-person bench seat with vinyl trim and under-seat storage
Driver and Passenger Seat Trim	Modura cloth upgrade seat upholstery
Seat Belts	Orange driver and passenger belts
Bumper/Grille	Chrome bumper and grille combination

Shaded areas indicate optional specifications.

MACK®

All illustrations, specifications and descriptions in this specification are based on the latest product information available at the time of this publication. The right is reserved to make changes in price, materials, equipment, design, specifications, diagrams and models, and to discontinue models of equipment at any time, without notice and without incurring any obligation whatsoever. For more information on additional options and accessories, contact Mack Trucks, Inc. (www.macktrucks.com).

©2024 Mack Trucks, Inc. All rights reserved. Mack, Mack and the Bulldog design, Bulldog and all other marks contained herein are registered trademarks of Mack Trucks, Inc. and/or Mack Trucks, Inc. affiliated companies. All other marks contained herein are the property of their respective owners.

SS-OX-MD6-0824