

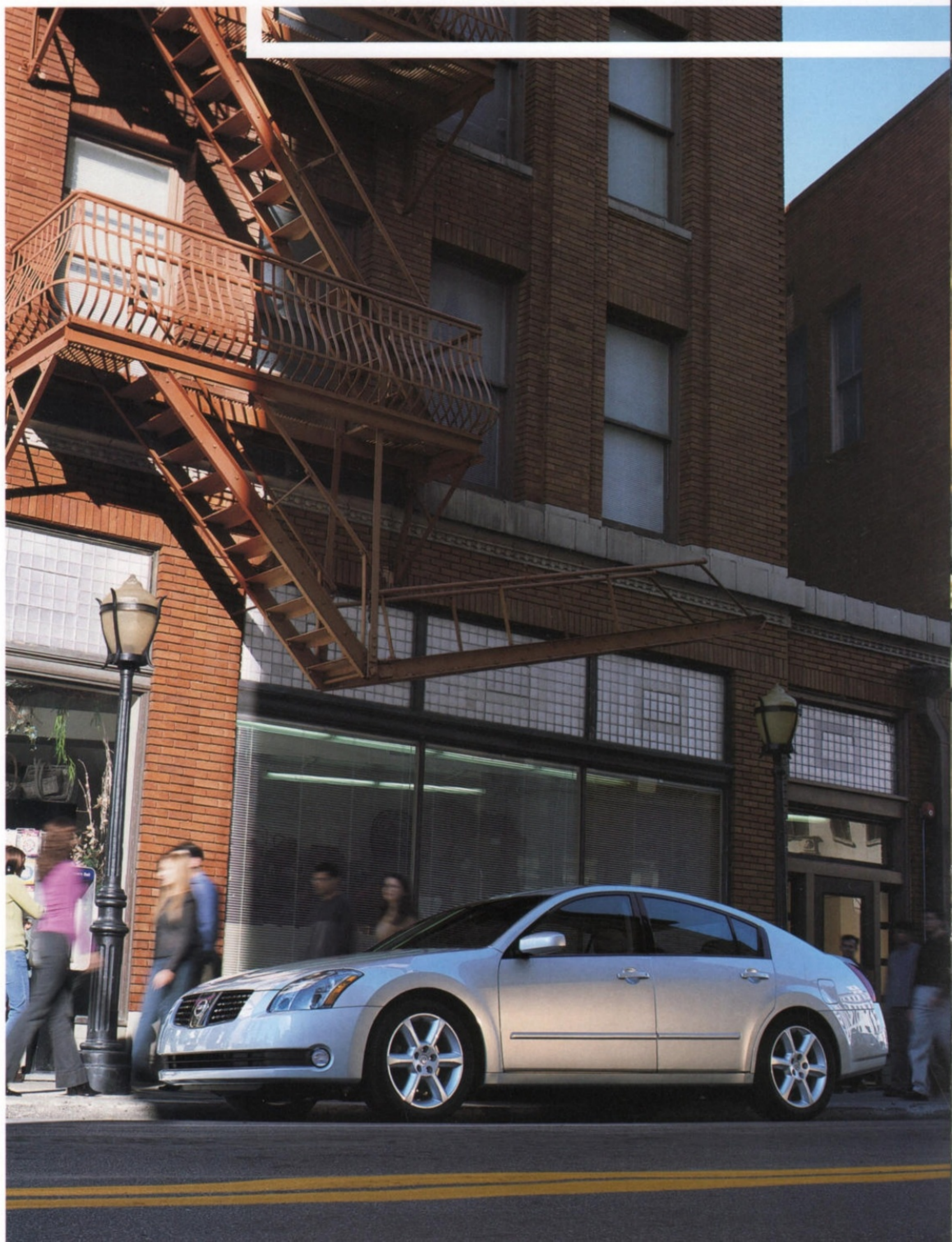
A photograph of a city street scene. In the foreground, a silver sedan is parked on the street, viewed from the rear quarter angle. The car has a sunroof and a license plate that reads "MAYRA 312 271". In the background, a brick building features a prominent fire escape with a wooden balcony. The building has large windows, some with blinds, and a display window on the left. A woman in a green jacket stands near a newspaper kiosk. Several other pedestrians are visible, some blurred to indicate motion. A street lamp stands on the sidewalk. The overall scene is captured in a cinematic style with soft lighting.

YOU CAN EXIST IN THE MOMENT,
OR CREATE IT.

THE DIFFERENCE IS EXHILARATING.



Leave the predictable and
expected behind.



And go.





Embrace courage.

Embrace adrenaline.

Live deliberately.

Radiant Ember exterior color is no longer available.

Make choices based on your ideals,
your desire.



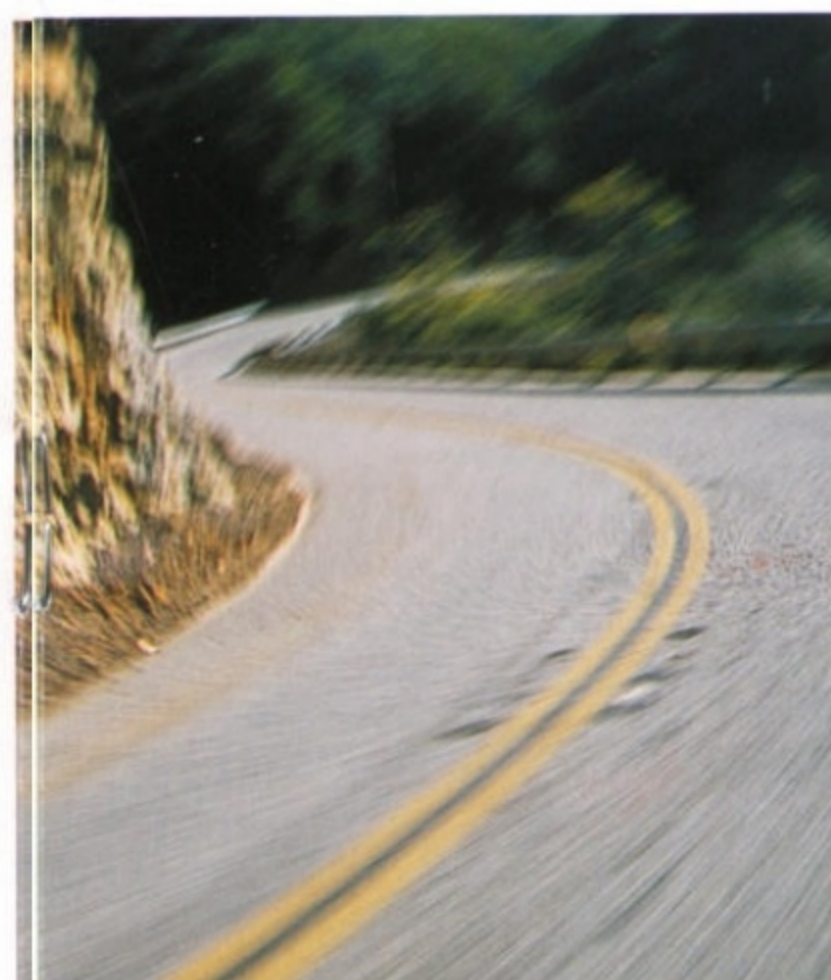





A desire to find that place
where time stops



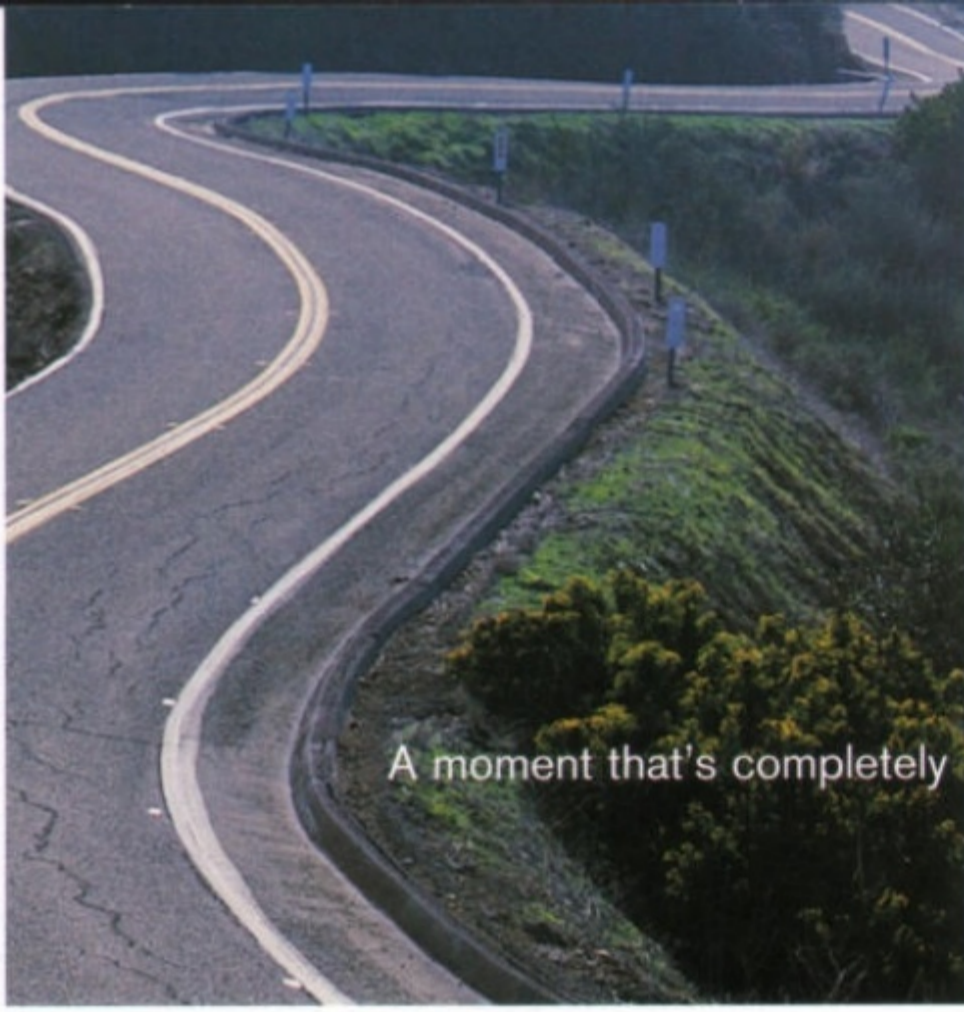
and life starts.



A red Nissan Maxima 3.5SE is shown from a rear three-quarter view, driving on a winding road. The car is in motion, with a blurred background of trees and a bright sunset sky. The car's rear features include the 'MAXIMA' badge, the Nissan logo, and the '3.5SE' badge. The license plate area is visible but the text is not legible. The car is driving on a road with a guardrail and several yellow warning signs with black arrows pointing left. The overall scene conveys a sense of speed and performance.

Where 265 horsepower and 4-wheel independent suspension
and four available bucket seats and two wide eyes
and one lucky right foot all become

a single, pure moment.



A moment that's completely your own.





THE ALL-NEW
2004 NISSAN MAXIMA.



Nothing has changed.
Everything has changed.





SHIFT exhilaration

All illustrations, photographs, specifications and accessories in this publication are based on the latest product information available at the time of printing. Some vehicles shown with optional equipment. See the actual vehicle for complete accuracy. Availability and delivery times for particular models or equipment may vary. Nissan North America, Inc. reserves the right to make changes at any time, without prior notice, in prices, colors, materials, equipment, specifications and models, and to discontinue models or equipment. Specifications, options and accessories may differ in Hawaii, U.S. territories and other countries. For additional information on availability, options or accessories, see your Nissan dealer.

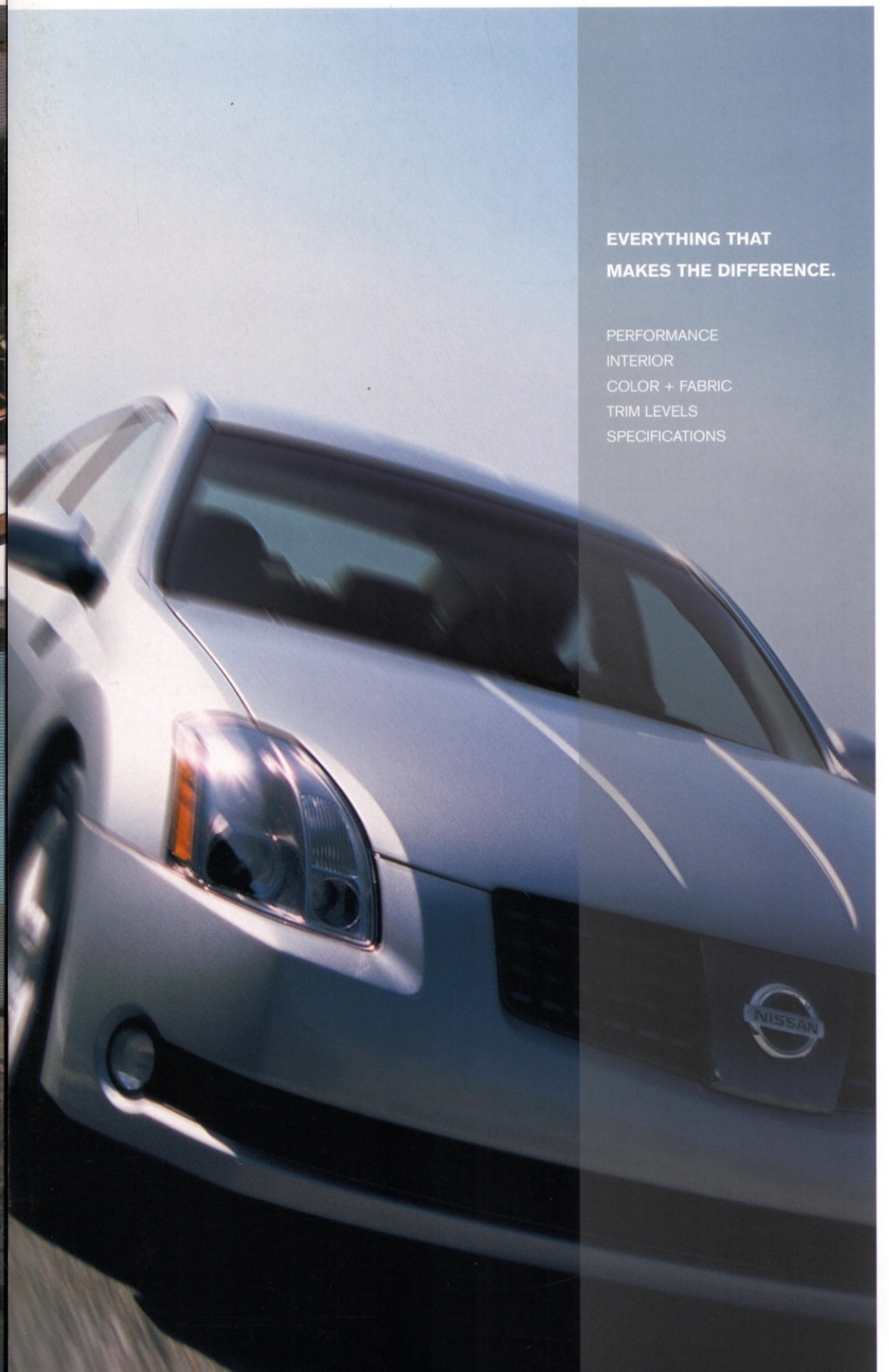
At NissanUSA.com, you'll find virtual product demonstrations, a way to "build your own Nissan," a dealer locator, and more information about key Nissan support services. Or if you'd prefer, call 1-800-239-8810 for more information. Finally, 1-800-NISSAN-3 is available to answer specific questions about Maxima or any other Nissan vehicle.

Nissan, the Nissan Brand Symbol, "SHIFT" tagline, Z and Nissan model names are Nissan trademarks. Always wear your seat belt, and please don't drink and drive. © 2003 Nissan North America, Inc. '04 Maxima. 4021-12/03-225M-CGI. Printed in U.S.A.



EVERYTHING THAT
MAKES THE DIFFERENCE.

PERFORMANCE
INTERIOR
COLOR + FABRIC
TRIM LEVELS
SPECIFICATIONS



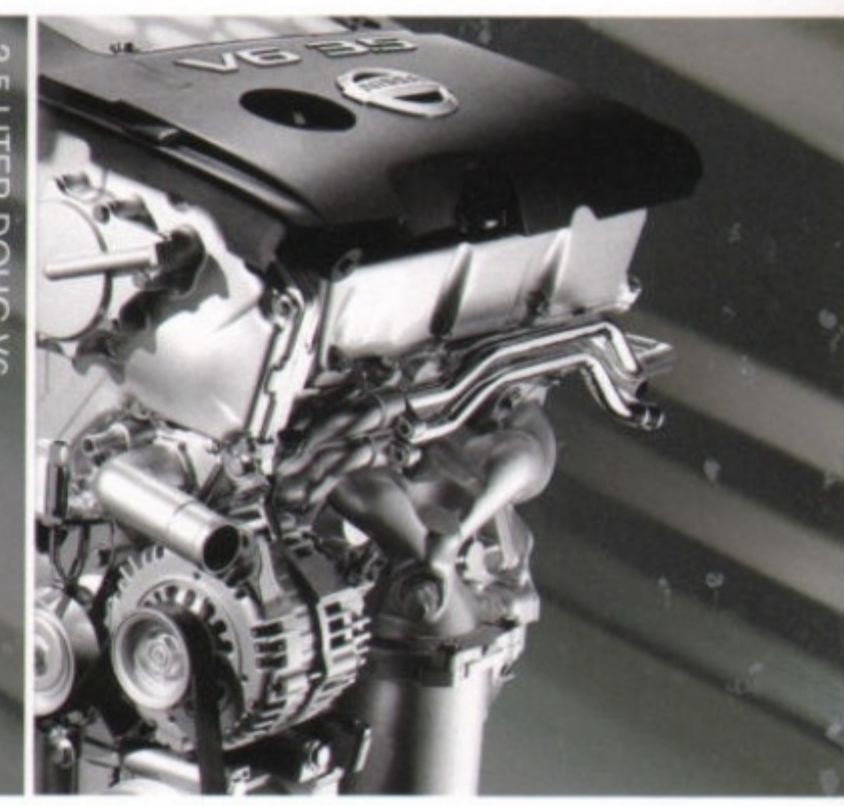
265

HORSEPOWER

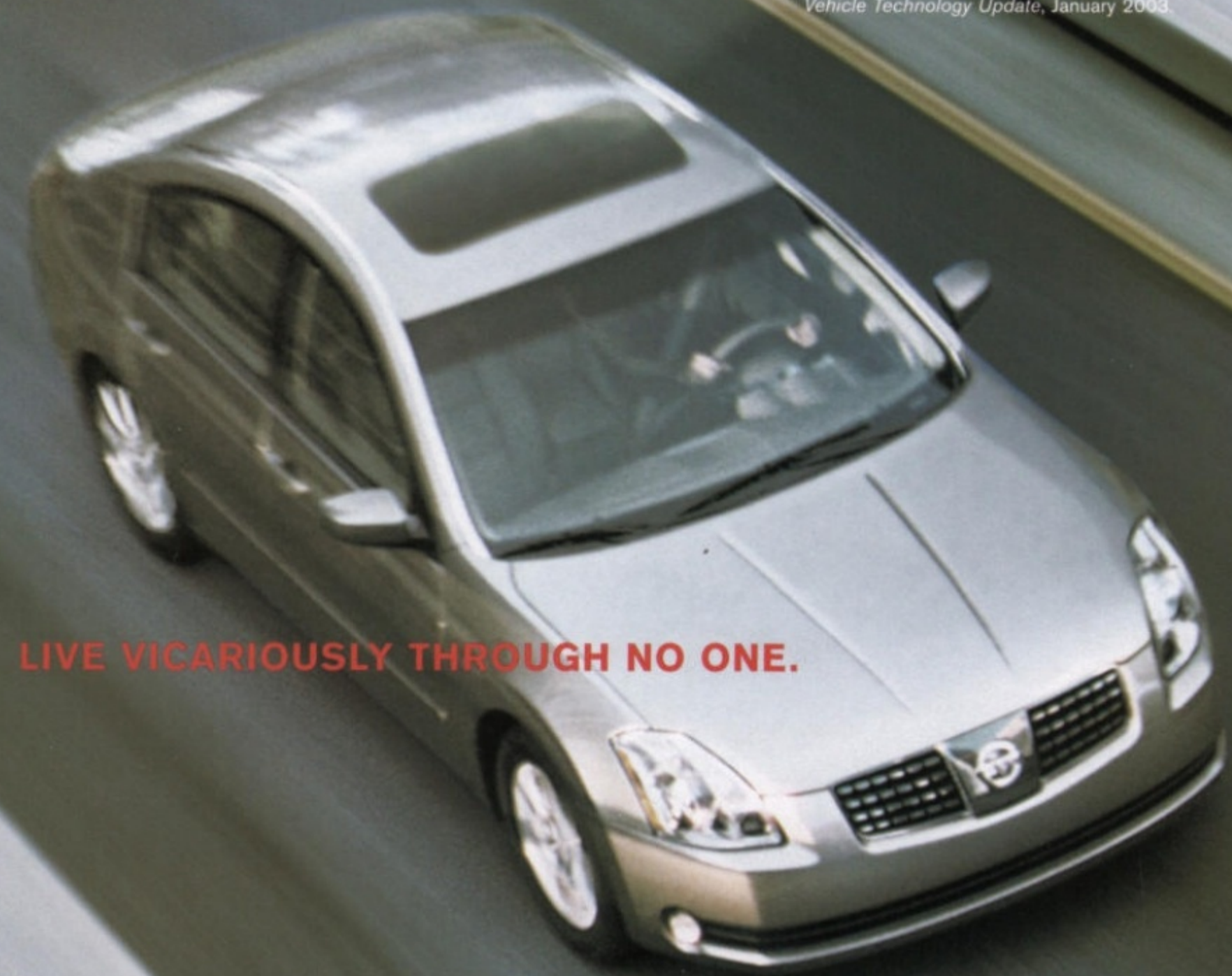
"A 'TEN BEST ENGINE' NINE YEARS RUNNING" – *Ward's Auto World**

The team at Ward's ranks Maxima's VQ engine as "...one of the best V6 engines ever developed."* Perhaps inspired by 265 horsepower. 255 lb-ft of torque. 3.5 liters. DOHC. Weight-saving aluminum everywhere it counts. And zero to breathtaking in one tap of your right foot. Maxima's VQ is a powerplant refined through years of technological innovations, giving Maxima drivers something everyone wants – more power. More than a Lexus IS 300. More than a BMW 530i.

3.5-LITER DOHC V6



*Ward's Auto World and Ward's Engine And Vehicle Technology Update, January 2003



LIVE VICARIOUSLY THROUGH NO ONE.



How? An engine that's microfinished, pistons that are bathed in friction-reducing molybdenum, valves that operate with super-efficient variable timing, air intake that adjusts to demands, and a four-outlet high-capacity exhaust system. It's race-bred engineering that translates power into instant gratification.

Help Maxima's 255 lb-ft of torque fulfill its destiny: Choose 3.5 SE's available close-ratio six-speed manual transmission. It features short, intuitive throws and triple (most cars have double) cone synchros for seamless shifts from first to second. Or, you can choose Maxima's standard five-speed automatic transmission, and still "shift" using the manual mode.

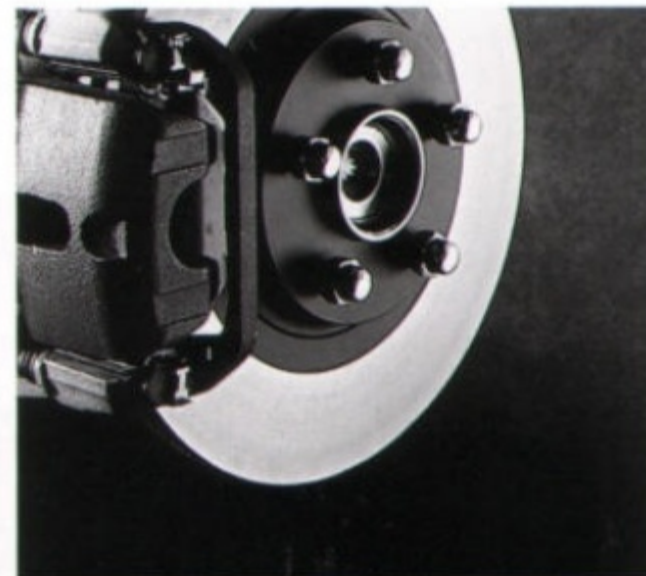
6-speed manual

5-speed automatic



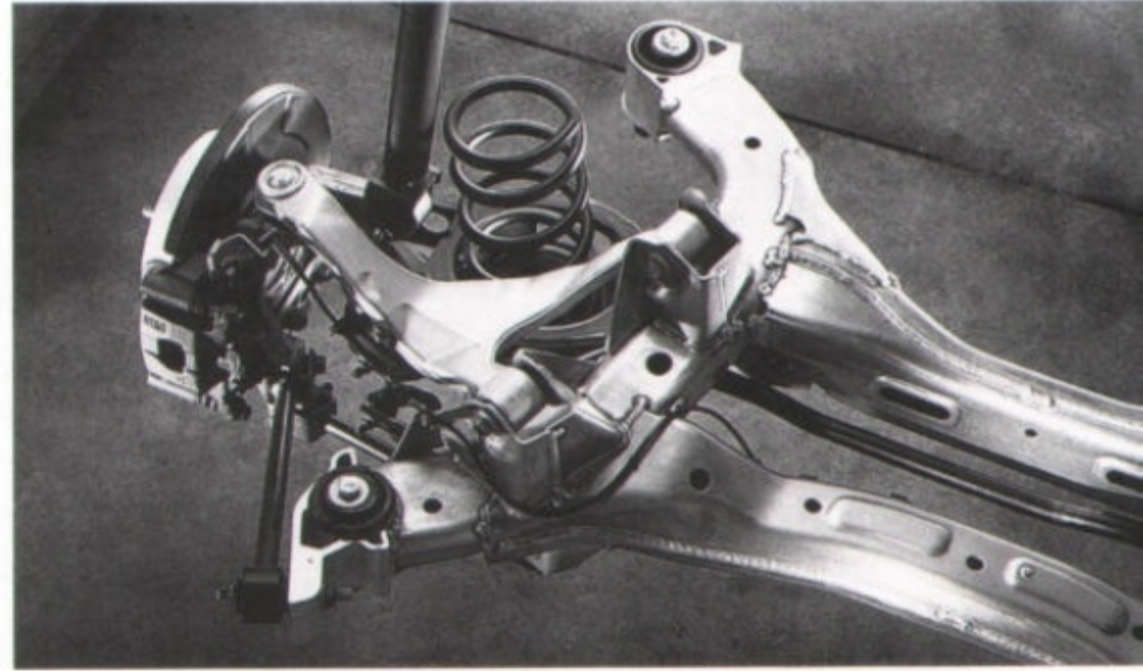
Keeping 265 hp in check are Maxima's performance brakes with massive 12.6" rotors up front.

performance brakes



Somewhere, a road crew is paving the perfectly smooth, S-curve-filled road. Somewhere. Here, however, potholes and Bot's dots abound. Greet it all with the all-new, multi-link independent rear suspension of the Maxima. Inspired by high-performance racecars and not-so-high-performance urban blacktop, the multi-link design features aluminum components to help reduce unsprung weight. This, coupled with a 40% increase in body rigidity, helps keep the Maxima flatter in corners and improves steering precision.

multi-link independent rear suspension



REAL-WORLD SAFETY, PART ONE:

ALWAYS LOOK TWICE.

Because the best way to stay safe is to avoid an accident in the first place. Just ask our engineers and designers who every day give 110% to help you stay out of trouble. From how well you can assess what's happening around you, to how quickly the engine responds, Nissan incorporates systems that react instantly and predictably. That's why suspension and steering are crisp and responsive. Braking and control feel intuitive and technologically advanced. So, when you enter the intersection, always look twice. And know that Maxima is equipped with a full battery of safety-minded measures to inspire your confidence – without surrendering a shred of exhilaration.

VDC, or Vehicle Dynamic Control,* can actually help keep your Maxima on the path you intended. If the vehicle begins to oversteer (fishtail) or understeer (plow forward), VDC can reduce engine output and/or apply appropriate brake pressure to specific wheels – to help ensure you stay in control and on course.

Traction Control helps to reduce any unforeseen front wheel spin during acceleration or in slippery conditions.

Beyond the stopping power of the Maxima's 12.6" front brake rotors, the ABS-equipped braking system utilizes numerous technologies to help you maintain steering control during hard braking – so you can still maneuver around an obstacle, for instance.

Brake Assist senses panic braking situations and helps assure that maximum brake force is being applied.

And Electronic Brake force Distribution improves overall brake performance by redirecting more brake force to the rear when there is additional weight in the back, such as luggage in the trunk, a full tank of fuel, or a couple of awestruck passengers in the back seats.

* VDC is designed to help improve driving stability, but does not prevent accidents due to abrupt steering or by carelessness or dangerous driving techniques. Always drive safely.



REAL-WORLD SAFETY, PART TWO:

PROTECTING YOU IF THE UNAVOIDABLE HAPPENS.

You're surrounded. In front of you, dual-stage air bags¹ adjust their inflation rate, depending on severity of impact and seat belt use. Beside you in the front seats, side-impact supplemental air bags¹ are built into the seat so they move with you as you adjust the seat. And above you, roof-mounted curtain side-impact supplemental air bags¹ help protect front and rear passengers.



CRASH TESTING. THE FEDERAL GOVERNMENT FOCUSES ON ONLY CERTAIN COLLISION TYPES IN THEIR TESTING. AND WHILE NISSANS CONSISTENTLY SCORE HIGH, WE'RE JUST AS CONCERNED WITH THE MANY OTHER WAYS ACCIDENTS REALLY HAPPEN OUT THERE. WHICH LEADS TO OUR OWN RIGOROUS "REAL-WORLD" APPROACH. USING COMPUTER-SIMULATED CRASHES IN THE EARLIEST STAGES OF DEVELOPMENT, WE MAKE SURE SAFETY GUIDES THE ACTUAL DESIGN OF THE VEHICLE. THEN WE MOVE ON TO PROTOTYPES, WHERE A CYCLE OF "CRASH, ANALYZE, IMPROVE" CONTINUES UNTIL WE'VE MET OUR OWN STANDARDS, EVEN MORE STRINGENT THAN FEDERAL. EACH YEAR, IN FACT, NISSAN CONDUCTS OVER 1,600 VIRTUAL CRASH SIMULATIONS AND OVER 800 ACTUAL CRASH TESTS TO DEVELOP THE SAFETY PERFORMANCE OF ITS VEHICLES. AND THE KNOWLEDGE WE GAIN HELPS MAKE THE NISSAN YOU DRIVE A SAFER VEHICLE FOR YOU AND YOUR PASSENGERS.

¹Please keep in mind that air bags are a supplemental restraint system and must always be used in conjunction with a seat belt. Also, a rear-facing child restraint must never be placed in the front-passenger's seat. In fact, all children 12 and under should ride in the rear seat properly secured in child restraints, booster seats, or seat belts according to their size. Keep in mind, driver and front-passenger side-impact supplemental air bags and roof-mounted curtain side-impact supplemental air bags for front- and rear-seat occupant head protection are designed to inflate in higher severity side collisions on the side of the vehicle impacted. Please see your owner's manual for more details. Inflated air bags shown for illustration purposes only. Actual air bags deflate after deployment.



Always, always wear your seat belt. Air bags are not a replacement for a seat belt. Inside the Maxima, the front seat belts utilize pretensioners, which help tighten the belt when the front air bags deploy; load limiters know enough to give a bit if your body puts too much force on the belt. Coupled with these advanced seat belts are active head restraints that move forward during a rear-end collision, helping to reduce the chances of whiplash injuries to front-seat passengers.



A child restraint that is properly installed is one of the best ways to keep a child safe in a moving vehicle. And it is this fact that motivated us to create an industry first: The Snug Kids Child Safety Seat Fit Guide. A guide that lists the child seats which best fit the rear seats of Nissan vehicles, as well as invaluable tips on correct installation. Look for it at NissanUSA.com/snug-kids

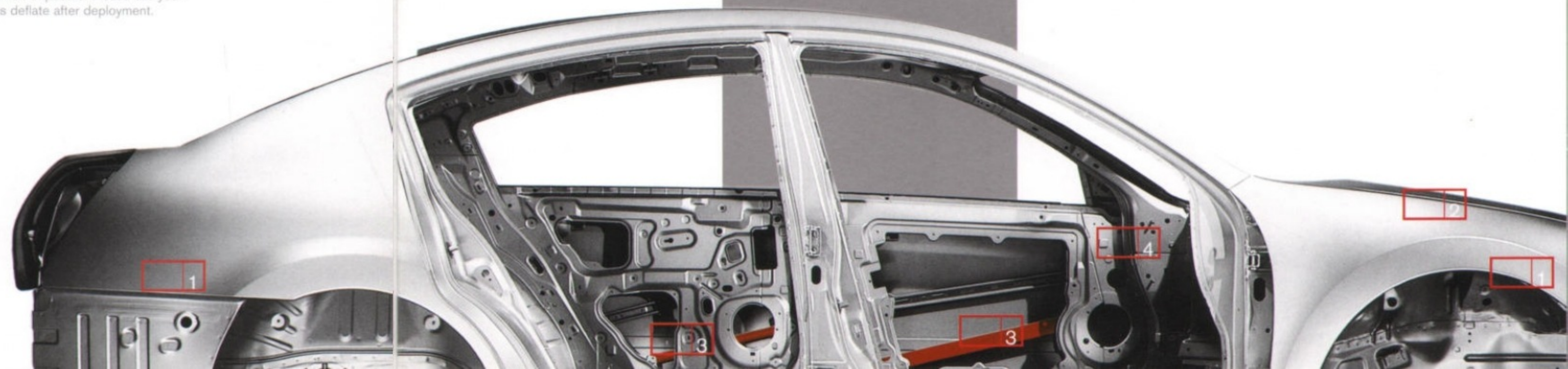
- 1 Zone Body construction with crumple zones
- 2 Hood buckling creases
- 3 High-strength steel side-door guard beams
- 4 Energy-absorbing steering column

A high-intensity cabin structure built with cross-members and reinforcements. Plus, front and rear crumple zones to help absorb impact energy before it reaches the passenger compartment.

Allow the hood to buckle at predetermined points, to help prevent it from intruding into the passenger compartment in certain frontal impacts.

Welded into every door, these high-strength steel beams help protect you and your passengers in the event of side impacts.

It compresses during certain frontal impacts to help reduce the likelihood of injury.



Maxima 3.5 SE shown in Frost Leather with optional equipment.



**EIGHT LANES OF CHAOS.
FIVE SEATS OF COMFORT.**

The best way to win the highway battle? Climb into a Maxima and surround yourself with comfort. Memory controls that adjust the seat, mirrors and steering wheel to your personal settings. Rich, leather-appointed heated seats that challenge you to ever get out. Plenty of arm and leg and head and thinking room. A center armrest that adjusts to you, rather than expecting you to adjust to it. A heated steering wheel that power-tilts and power-telescopes. Even a driver's seat that automatically moves back to help you get in – and out, should you finally decide to leave.

See Specifications chart for availability of the features described above.

A BRAND-NEW LOOK AT THE SKY, PLUS VIP SEATING FOR FOUR.

Maxima has redefined the roof, as well as your view. Its available SkyView™ glass-paneled roof spans the arched roofline front to back, brightening your perspective – inside and out. And while the Maxima cabin filled with natural light is a beautiful thing, you can always pull the sliding shades for less sky and more coverage. For the ultimate Maxima experience, there's the available Elite Package (shown at far right). It features a 4-seat layout with sporty buckets all around (heated, no less), something you won't find on the competition, because only Maxima lives up to the implications. Your very important rear passengers also get their own rear power sunshade, plus their own console with personal air conditioning vents, all there to ensure they stay cool, no matter how excited they get about their turn in bucket number one.





Introducing a final truce in the war of cabin temperature. The Nissan Dual Zone Automatic Temperature Control, which enables both driver and front passenger to choose their own personal climate – freeing them to argue over more important things, like who gets to drive.



Sure, getting lost can be the best way to find all sorts of magical empty roads. But keep in mind those magical empty roads rarely have an ATM, gas station or jazz club on them. Which is only some of what the available DVD-based Nissan Navigation System* can help you find. Pick a place or program in an address and Voice Guidance will talk you through every turn, while a 7" color screen map will display your current location either on a conventional map or through the patented three-dimensional Birdview.™

* Factory-installed option. Never program while driving. Requires accurate GPS service to be available and operating for features to function properly. Mapping may not be detailed in all areas or reflect current road regulations. Some Nissan dealers may not appear on the current mapping areas. Periodic updates to the DVD-ROM will be available for an additional cost. See your Nissan dealer for details.

™ Birdview is a trademark of Xanavi Corporation.
 ® HomeLink is a registered trademark of Johnson Controls, Inc.
 No satellite radio reception is available and "NO SAT" will be displayed when the SAT button is pressed unless optional satellite receiver and antenna were purchased and installed, and an XM® or SIRIUS™ satellite radio service subscription is active. Satellite radio option can only be installed in vehicles that were factory pre-wired for satellite radio.
 The XM name and related logos are registered trademarks of XM Satellite Radio Inc. SIRIUS and related marks are trademarks of Sirius Satellite Radio Inc. All rights reserved.

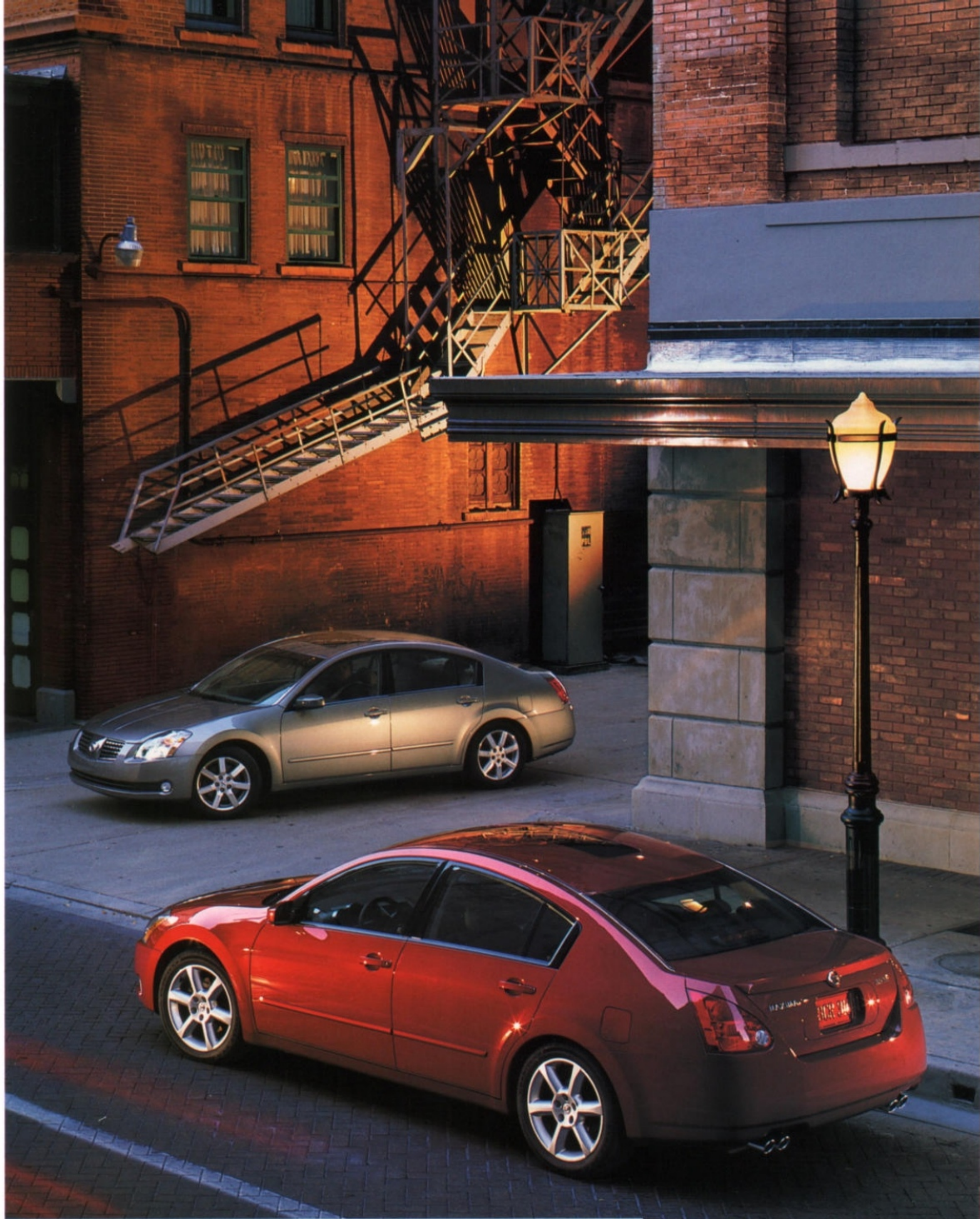


PDA's, step aside. This is what personal digital assistance is all about. Maxima's Information Center. Here you can program climate zones. Choose your preferences. Get instant reports on fuel economy, driving time, average speed, and (the sometimes critical) distance to empty. And best of all, control the available Maxima-specific Bose® audio system with in-dash 6-CD changer. It's a five-channel digital amplifier, with a fixed equalizer custom-tuned for Maxima, pumping out clean, rich sound through eight strategically placed speakers, including two subwoofers.

Like the acceleration and handling of the new Maxima, the gauges have also been inspired by the cockpit. Designed for instant comprehension of vital information through large, clear dials, they're framed with titanium-tinted trim and set back to avoid sunlight glare, as well as any anxious glances from the co-pilot.



Imagine a rearview mirror that looks ahead. With HomeLink® controls incorporated right on it, Maxima's auto-dimming rearview mirror does just that. As you head up the home stretch, it enables you to raise the garage door and even open the gate. Welcome home.



MAXIMA 3.5 SE

Shown in Red Opulence. Features 18" aluminum-alloy wheels and tires, sport-tuned suspension, five-speed automatic transmission with manual shift mode, SkyView glass-paneled roof, Dual Zone Automatic Temperature Control (ATC), Information Center, and CD/cassette audio system.

MAXIMA 3.5 SL

Shown in Spirited Bronze with optional sunroof. Features 17" aluminum-alloy wheels and tires, High Intensity Discharge (HID) bi-level xenon headlights, Dual Zone Automatic Temperature Control (ATC), Information Center, leather-appointed seats, simulated wood trim and Bose® audio system.

ACCESSORIES

- Air bag anti-theft bolt
- All-season rubber floor mats
- Battery warmer
- Carpeted floor mats
- Carpeted trunk mat
- First-aid kit
- Hand-held spotlight
- License plate frames
- Nose mask
- Rear spoiler
- Roadside emergency kit
- Satellite radio* (XM® or SIRIUS™ providers)
- Seat belt extender
- Splash guards
- Sunroof wind deflector
- Vehicle cover
- Wheel locks

3.5 SE CLOTH



CAFÉ LATTE



FROST



BLACK

3.5 SE, 3.5 SL LEATHER



CAFÉ LATTE



FROST



BLACK

3.5 SE LEATHER



BURNT ORANGE

■ Standard.

□ Part of 3.5 SE Sensory Package.

▣ Only available with Elite Package.

* No satellite radio reception is available unless optional satellite receiver and antenna were purchased and installed, and an XM® or SIRIUS™ satellite radio service subscription is active. Satellite radio option can only be installed in vehicles that were factory pre-wired for satellite radio. The XM name and related logos are registered trademarks of XM Satellite Radio Inc. SIRIUS and related marks are trademarks of Sirius Satellite Radio Inc. All rights reserved.

‡ Not available with Elite Package.

‡ Available with 5-seater interior or with Elite Package.

* Limited availability.

‡ Available early 2004.

Please see the actual colors at your local Nissan dealer.



WINTER FROST QX3

| | 3.5 SE | 3.5 SL |
|--------------------|----------------|----------------|
| Café Latte Cloth | ■ | ■ |
| Café Latte Leather | □ ¹ | □ ¹ |
| Frost Cloth | ■ | ■ |
| Frost Leather | □ ¹ | □ ¹ |



LIQUID SILVER KY1

| | 3.5 SE | 3.5 SL |
|---------------|----------------|----------------|
| Frost Cloth | ■ | ■ |
| Frost Leather | □ ¹ | □ ¹ |
| Black Cloth | ■ | ■ |
| Black Leather | □ ¹ | □ ¹ |



SPIRITED BRONZE KY2

| | 3.5 SE | 3.5 SL |
|----------------------|----------------|----------------|
| Café Latte Leather | ■ | ■ |
| Frost Cloth | ■ | ■ |
| Frost Leather | □ ¹ | □ ¹ |
| Black Cloth | ■ | ■ |
| Black Leather | □ ¹ | □ ¹ |
| Burnt Orange Leather | □ ¹ | □ ¹ |



MAJESTIC BLUE BW9

| | 3.5 SE | 3.5 SL |
|--------------------|----------------|----------------|
| Café Latte Leather | ■ | ■ |
| Frost Cloth | ■ | ■ |
| Frost Leather | □ ¹ | □ ¹ |
| Black Cloth | ■ | ■ |
| Black Leather | □ ¹ | □ ¹ |



CHAMPAGNE MIST⁴ EY1

| | 3.5 SE | 3.5 SL |
|--------------------|----------------|----------------|
| Café Latte Cloth | ■ | ■ |
| Café Latte Leather | □ ¹ | □ ¹ |
| Black Cloth | ■ | ■ |
| Black Leather | □ ¹ | □ ¹ |



RED OPULANCE A15

| | 3.5 SE | 3.5 SL |
|--------------------|----------------|----------------|
| Café Latte Cloth | ■ | ■ |
| Café Latte Leather | □ ¹ | □ ¹ |
| Black Cloth | ■ | ■ |
| Black Leather | □ ¹ | □ ¹ |



ONYX KH3

| | 3.5 SE | 3.5 SL |
|----------------------|----------------|----------------|
| Frost Cloth | ■ | ■ |
| Frost Leather | □ ¹ | □ ¹ |
| Black Cloth | ■ | ■ |
| Black Leather | □ ¹ | □ ¹ |
| Burnt Orange Leather | □ ¹ | □ ¹ |



CORAL SAND⁵ C12

| | 3.5 SE | 3.5 SL |
|--------------------|----------------|----------------|
| Café Latte Cloth | ■ | ■ |
| Café Latte Leather | □ ¹ | □ ¹ |
| Frost Cloth | ■ | ■ |
| Frost Leather | □ ¹ | □ ¹ |



SMOKE⁵ K11

| | 3.5 SE | 3.5 SL |
|----------------------|----------------|----------------|
| Café Latte Leather | ■ | ■ |
| Frost Cloth | ■ | ■ |
| Frost Leather | □ ¹ | □ ¹ |
| Black Cloth | ■ | ■ |
| Black Leather | □ ¹ | □ ¹ |
| Burnt Orange Leather | □ ¹ | □ ¹ |

FEATURES

| | 3.5 SE | 3.5 SL | | |
|--|---|--|----------------|----------------|
| STYLING | High Intensity Discharge (HID) bi-level xenon projector headlights (low/high beam) ¹ | □ | ■ | |
| | Automatic on/off headlights, integrated fog lights and cornering lights | □ | ■ | |
| | Rear spoiler | □ | ■ | |
| | Dual high-capacity exhausts with four chrome tip finishers | ■ | ■ | |
| | Dual power outside mirrors | ■ | ■ | |
| | Dual power heated outside mirrors | □ | ■ | |
| | Dual power folding outside mirrors | □ | □ | |
| | SkyView glass-paneled roof | ■ | ■ | |
| | Power sliding glass sunroof with pre-select switch and anti-pinch feature | □ ² | □ ² | |
| | Aluminum hood and trunk | ■ | ■ | |
| UV-reducing solar glass | ■ | ■ | | |
| AUDIO | AM/FM/cassette/CD audio system | ■ | ■ | |
| | Digital Bose® audio system with AM/FM/cassette/in-dash 6-CD changer | □ | ■ | |
| | Radio Data System (RDS) and speed-sensitive audio volume | □ | ■ | |
| | Eight speakers, including two tweeters | ■ | ■ | |
| | Eight speakers, including two subwoofers and two tweeters | □ | ■ | |
| | INTERIOR | Nissan Navigation System ³ with GPS DVD-ROM atlas and 7.0" color LCD monitor | □ ⁴ | □ ⁴ |
| | | Information Center with 6.3" LCD monitor and multiple displays | ■ | ■ |
| | | Dual Zone Automatic Temperature Control (ATC) with in-cabin microfilter and rear vents | ■ | ■ |
| | | Remote keyless entry with trunk release and front windows down; key-operated front windows up/down | ■ | ■ |
| | | Power windows with front windows one-touch auto-up/down | ■ | ■ |
| Rear windows with one-touch auto-up/down; remote rear windows down | | □ | □ | |
| Power door locks | | ■ | ■ | |
| HomeLink® Universal Transceiver | | ■ | ■ | |
| Tilt and telescoping steering column | | ■ | ■ | |
| Power tilt and power telescoping steering column | | □ | □ | |
| SEATING/APPOINTMENTS | Cruise control | ■ | ■ | |
| | Steering wheel-mounted audio and cruise controls | ■ | ■ | |
| | Variable intermittent speed-sensitive windshield wipers | ■ | ■ | |
| | Auto-dimming rearview mirror | ■ | ■ | |
| | Digital compass in rearview mirror | □ | ■ | |
| | Power rear sunshade with front and rear controls | □ | □ | |
| | Overhead sunglasses storage, front map lights and rear reading lights | ■ | ■ | |
| | Height-adjustable armrest and rear center armrest; height-adjustable front seat belts | ■ | ■ | |
| | Dual-level center console with dual cup holders | ■ | ■ | |
| | Rear center console with dual cup holders and storage underneath | □ | □ | |
| SAFETY/SECURITY | Dual two-way sun visors with extenders and dual illuminated visor vanity mirrors | ■ | ■ | |
| | Two 12-volt DC power outlets, retained accessory power and battery saver | ■ | ■ | |
| | Rear center console 12-volt DC power outlet | □ | □ | |
| | 8-way power driver's seat with manual lumbar | ■ | ■ | |
| | 4-way power front-passenger's seat | □ | □ | |
| | Memory system – driver's seat, steering wheel and outside mirrors (two memory settings) | □ | □ | |
| | Driver's seat entry/exit system (A/T only) and driver's seat power lumbar | □ | □ | |
| | Heated front seats (two settings) | □ | □ | |
| | Heated rear seats (two settings) | □ | □ | |
| | Heated steering wheel | □ | □ | |
| Driver and front-passenger seatback pockets and 60/40 split fold-down rear seatbacks with lock ⁵ | ■ | ■ | | |
| Two rear passenger bucket seats (4-passenger seating capacity) | □ | □ | | |
| Leather-appointed seats | □ | ■ | | |
| Leather-wrapped steering wheel, shift knob and parking brake lever | ■ | ■ | | |
| Gated automatic transmission shifter | ■ | ■ | | |
| Metallic-tone trim, including aluminum door sill plates | ■ | ■ | | |
| Wood-tone accents, including aluminum door sill plates | ■ | ■ | | |
| Trunk compartment accents and cargo net | ■ | ■ | | |
| Dual-stage supplemental front air bags with seat belt sensors ⁶ | ■ | ■ | | |
| Driver and front-passenger side-impact supplemental air bags ⁶ | ■ | ■ | | |
| Roof-mounted curtain side-impact supplemental air bags for front and rear-seat occupant head protection ⁶ | ■ | ■ | | |
| 3-point ALR/ELR passenger seat belt system (ELR for driver) | ■ | ■ | | |
| Front seat belts with pretensioners and load limiters | ■ | ■ | | |
| Active front-seat head restraints and two rear-seat head restraints | ■ | ■ | | |
| LATCH System (Lower Anchors and Tethers for Children) | ■ | ■ | | |
| Energy-absorbing steering column and high-strength steel side-door guard beams | ■ | ■ | | |
| Zone Body construction with front and rear crumple zones; hood buckling creases | ■ | ■ | | |
| Nissan Vehicle Immobilizer System and vehicle security system | ■ | ■ | | |

■ Standard □ Optional □ Part of Driver Preferred Package □ Part of 3.5 SE Premium Audio Package □ Part of Elite Package □ Part of 3.5 SE Sensory Package □ Part of Journey Package

¹HID bi-level xenon projector headlights delete option available. ²This option deletes SkyView glass-paneled roof. ³Factory-installed option. This option deletes digital compass in rearview mirror. Never program while driving. Requires accurate GPS service to be available and operating for features to function properly. Mapping may not be detailed in all areas or reflect current road regulations. Some Nissan dealers may not appear on the current mapping areas. Periodic updates to the DVD-ROM will be available for an additional cost. See your Nissan dealer for details. ⁴Nissan Navigation System available as stand-alone option in early 2004. This option requires 3.5 SE Sensory Package for 3.5 SE models and Driver Preferred Package for 3.5 SL models. ⁵60/40 split fold-down rear seatbacks are replaced with center armrest trunk pass-through on 4-passenger models. ⁶Please keep in mind that air bags are a supplemental restraint system and must always be used in conjunction with a seat belt. Also, a rear-facing child restraint must never be placed in the front-passenger's seat. In fact, all children 12 and under should ride in the rear seat properly secured in child restraints, booster seats, or seat belts according to their size. Keep in mind, driver and front-passenger side-impact supplemental air bags and roof-mounted curtain side-impact supplemental air bags for front and rear-seat occupant head protection are designed to inflate in higher severity side collisions on the side of the vehicle impacted. Please see your owner's manual for more details. ⁷Premium fuel recommended. ⁸Available in early 2004. ⁹Limited availability. ¹⁰VDC is designed to help improve driving stability, but does not prevent accidents due to abrupt steering or by carelessness or dangerous driving techniques. Always drive safely. ¹¹HomeLink is a registered trademark of Johnson Controls, Inc.

PACKAGES

3.5 SE PREMIUM AUDIO PACKAGE

Digital Bose® audio system with AM/FM/cassette/in-dash 6-CD changer
8 speakers, including two subwoofers and two tweeters
Radio Data System (RDS)
Speed-sensitive audio volume

3.5 SE SENSORY PACKAGE

Leather-appointed seats
Heated front seats
Heated outside mirrors
4-way power front-passenger's seat
Digital compass in rearview mirror
This package includes all 3.5 SE Premium Audio Package items.

DRIVER PREFERRED PACKAGE (3.5 SE AND 3.5 SL)

High Intensity Discharge (HID) bi-level xenon headlights¹ (3.5 SE only)
Rear spoiler (3.5 SE only)
Power folding outside mirrors with memory function
Driver's seat entry/exit system (A/T only)
Driver's seat power lumbar
Heated steering wheel
Power tilt and power telescoping steering column with memory function
Driver's seat memory system with two-position memory
This package includes all 3.5 SE Sensory Package items on 3.5 SE models.

JOURNEY PACKAGE (3.5 SE AND 3.5 SL)

Nissan Navigation System³ with GPS DVD-ROM atlas
7.0" LCD color monitor with compass display
This package includes all Driver Preferred Package items.
Available through early 2004.

ELITE PACKAGE (3.5 SE AND 3.5 SL)

Two rear passenger bucket seats
Heated rear seats
Rear center console with dual cup holders and storage underneath
Rear windows with one-touch auto-up/down
Remote rear windows down
Power rear sunshade with front and rear controls
Rear center console 12-volt DC power outlet
This package includes all Driver Preferred Package items.
This package includes all Journey Package items. Available through early 2004.

DIMENSIONS – INCHES

Exterior

| | |
|-------------------------------------|-----------|
| Wheelbase | 111.2 |
| Overall length | 193.5 |
| Overall width | 71.7 |
| Overall height | 58.3 |
| Track width (front/rear) 18" wheels | 61.0/61.2 |
| 17" wheels | 61.4/61.6 |

Interior

| | |
|----------------------------|-------------------------|
| Head room (front/rear) | 40.1/37.3 |
| Leg room (front/rear) | 43.9/36.5 |
| Hip room (front/rear) | 53.5/54.8 (5-passenger) |
| Shoulder room (front/rear) | 57.9/56.5 |

CAPACITIES

| | |
|-------------------------------------|-------|
| Interior passenger volume (cu. ft.) | 103.6 |
| Cargo volume (cu. ft.) | 15.5 |
| Fuel tank (gals.) | 20.0 |
| Engine oil (qts.) | 4.4 |

AERODYNAMICS

| | |
|------------------------|---------------------------------------|
| Drag coefficient (Cd): | .30 without rear spoiler |
| | .28 with rear spoiler (3.5 SE with □) |

SPECIFICATIONS

ENGINE

VQ35DE – 3.5-liter DOHC 24-valve V6 engine⁷
Horsepower – 265 hp @ 5,800 rpm
Torque – 255 lb-ft @ 4,400 rpm
Emissions – LEV
Continuously Variable Valve Timing Control System (CVTCS)
Variable Intake System
Nissan Direct Ignition System with platinum-tipped spark plugs
Electronic drive-by-wire throttle

DRIVETRAIN

Front engine/front-wheel drive
5-speed automatic transmission with manual shift mode (3.5 SE, 3.5 SL⁸)
Optional: 6-speed close-ratio manual transmission (3.5 SE)
4-speed automatic transmission (3.5 SL⁹)

| Gear ratio (:1) | 6-speed M/T | 5-speed A/T | 4-speed A/T |
|------------------------|-------------|-------------|-------------|
| 1st | 3.153 | 4.657 | 2.785 |
| 2nd | 1.944 | 3.032 | 1.545 |
| 3rd | 1.392 | 1.982 | 1.000 |
| 4th | 1.055 | 1.341 | 0.694 |
| 5th | 0.809 | 1.018 | N/A |
| 6th | 0.630 | N/A | N/A |
| Reverse | 3.002 | 5.114 | 2.272 |
| Final drive ratio (:1) | 4.133 | 2.440 | 3.789 |

Optional: Traction Control System (TCS) – A/T and M/T
Optional: Vehicle Dynamic Control (VDC)¹⁰ with TCS – A/T only
N/A – Not available.

WHEELS AND TIRES

18" x 7.5" Six-spoke aluminum-alloy wheels (3.5 SE)
17" x 7.0" Seven-spoke aluminum-alloy wheels (3.5 SL)
P245/45VR18 V-rated all-season tires
P225/55HR17 All-season tires
Optional: Full-size spare tire with alloy wheel.
Part of VDC with TCS option

BRAKES

Power-assisted brakes – 12.60" x 1.10" vented front discs and 11.50" x 0.35" rear discs
4-wheel Anti-lock Braking System (ABS)
Electronic Brake force Distribution (EBD)
Brake Assist (BA)

SUSPENSION AND STEERING

Front: Independent strut suspension
Rear: Multi-link independent suspension
Front (22.2 mm diameter) and rear (26.5 mm diameter) stabilizer bars
Sport-tuned suspension – firmer front springs, revised front strut and rear shock tuning (3.5 SE)
Luxury-tuned suspension – (3.5 SL)
Engine speed-sensitive power-assisted rack-and-pinion steering

CURB WEIGHTS (LBS.)

| | 3.5 SE | 3.5 SL |
|--|--------|--------|
| Manual transmission (5-passenger) | 3,436 | N/A |
| Manual transmission (4-passenger) | 3,441 | N/A |
| 5-speed automatic transmission (5-passenger) | 3,473 | 3,492 |
| 5-speed automatic transmission (4-passenger) | 3,478 | 3,498 |
| 4-speed automatic transmission (5-passenger) | N/A | 3,471 |
| 4-speed automatic transmission (4-passenger) | N/A | 3,476 |

2004 EPA FUEL ECONOMY ESTIMATES – CITY/HWY

| | 3.5 SE | 3.5 SL |
|--|--------|--------|
| 6-speed manual transmission (city/hwy) | 20/29 | N/A |
| 5-speed automatic transmission (city/hwy) | 20/28 | – |
| 4-speed automatic transmission (city/hwy) | N/A | 20/27 |
| Actual mileage may vary with driving conditions – use for comparison only. | | |
| 3.5 SL 5-speed A/T EPA Fuel Economy Estimates not available at time of printing. | | |
| See www.NissanUSA.com for updated information. | | |
| N/A – Not available. | | |

A RELATIONSHIP BUILT TO LAST.

WARRANTIES Every Nissan is backed by a 36-month/36,000-mile limited vehicle coverage and a 5-year/60,000-mile limited powertrain coverage. (For complete information, see your Nissan dealer and read the actual limited warranty.) For extra protection, you can also add Security+Plus[®], the only extended service agreement approved by Nissan.

SIGNATURE FINANCING When you've figured out which Nissan is right for you, Nissan Motor Acceptance Corporation (NMAC) offers a variety of financing options, attractive rates, and flexible terms to make your decision easier and your purchase more affordable. See your Nissan dealer or visit NissanUSA.com/Financing for more details. Qualifications and restrictions may apply.

GENUINE NISSAN PARTS AND SERVICE Every part we make is manufactured to the same exacting standards as the original. And they're the only parts to carry Nissan's factory-backed limited warranty. Our factory-trained, certified service technicians are just as precision oriented. And with Maintenance+Plus[®] coverage, your vehicle will receive up to 17 different services and over 33 different inspection items at each visit, using the most up-to-date diagnostic equipment available. (For complete information, read actual plan.)

WEB SITE/CUSTOMER SERVICE Keep in touch and stay up to date. Log on to NissanUSA.com or call 1-800-Nissan-3 for the scoop on our current cars and trucks, as well as a sneak peek into the future. Or perhaps you just have a question. And don't forget to check out the latest ways to help keep your vehicle in peak performance. It's part of our commitment to getting it right – whatever your needs, wherever you are.



All illustrations, photographs and specifications in this publication are based on the latest product information available at the time of printing. Some vehicles shown with optional equipment. See the actual vehicle for complete accuracy. Availability and delivery times for particular models or equipment may vary. Nissan North America, Inc. reserves the right to make changes at any time, without prior notice, in prices, colors, materials, equipment, specifications, and models and to discontinue models or equipment. Specifications, options and accessories may differ in Hawaii, U.S. territories and other countries. For additional information on availability, options or accessories, see your Nissan dealer.

Nissan, the Nissan Brand Symbol, "SHIFT_" tagline, Z and Nissan model names are Nissan trademarks. Always wear your seat belt, and please don't drink and drive. © 2003 Nissan North America, Inc. '04 Maxima. 4021A-12/03-225M-CGI. Printed in U.S.A.



SHIFT_